

MOXA®

C320Turbo/PCI Intelligent Serial Board

Quick Installation Guide

Fourth Edition, June 2008

1. Overview

C320Turbo/PCI provides an expandable and flexible COM/TTY solution for 8- to 128-port RS-232 applications. This serial board is ideal for connecting a wide range of serial devices—including terminals, modems, printers, scanners, cash registers, bar code readers, keypads, numeric displays, electronic scales, and data acquisition equipment—to a PC.

C320Turbo/PCI is a MOXA Green Product. Moxa's Green Products satisfy the RoHS directive of the European Parliament, and accordingly, do not contain cadmium and cadmium compounds, hexavalent chromium compounds, lead and lead compounds, mercury and mercury compounds, PBBs (polybrominated biphenyls), or PBDEs (polybrominated diphenyl ethers).

2. Package Checklists

Moxa's C320Turbo/PCI serial connectivity solution consists of the *Control Board*, a *Connection Cable*, and one or more *Modules*. Components are packaged separately. Please notify your sales representative if any items are missing or damaged:

Control Board (required)

C320T package contents:

- C32010T/PCI Async Board
- Software CD
- C320Turbo/PCI Quick Installation Guide

Connection Cables (must choose one)

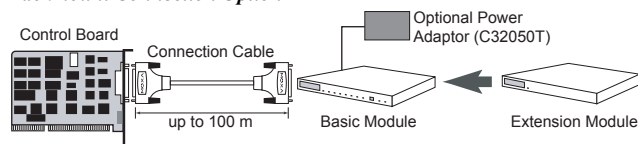
C32020T package contents:

- Male DB25 to female DB25 cable (25 wires, 2 meter length)

C32050T Long-range Extension Kit package contents:

- Male DB25 to female DB25 cable (10 wires, 2 meter length)
- 90-240 VAC switch power adaptor

Rackmount Connection Option



Basic Modules (must choose one)

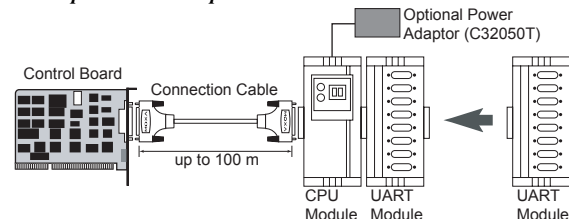
- C32080T rackmount module (8 ports, RS-232, 10-pin RJ45)
- C32081T rackmount module (16 ports, RS-232, 10-pin RJ45)

Extension Modules (optional—up to 32 ports per control board)

- C32082T rackmount module (8 ports, RS-232, 10-pin RJ45)
- C32083T rackmount module (16 ports, RS-232, 10-pin RJ45)

P/N: 1802003201500

Desktop Connection Option



CPU Module (required)

- C32030T CPU module

UART Modules (choose at least one—up to 32 ports per control board)

- C32045T (8 ports, RS-232, female DB25)
- C32047T (8 ports, RS-232, male DB25)
- C32061T (8 ports, RS-422, female DB25)
- C32065T (8 ports, RS-422, female DB25, w/ Isolation Protection)
- C32071T (8 ports, RS-232, female DB25, w/ Surge Protection)

3. Hardware Installation Procedure

The C320Turbo/PCI board **MUST** be installed in the PC before installing the driver. The following directions explain how to install the board in the PC.

STEP 1: Power off the PC.

STEP 2: Insert the C320Turbo/PCI control board firmly into any free PCI or PCI-X slot.

STEP 3: Fasten the holding screw to fix the control board in place.

STEP 4: Use the cable to connect C320Turbo/PCI to the CPU module.

STEP 5: Power on the PC.

STEP 6: Enter the PC's BIOS to reserve a specific IRQ for C320Turbo/PCI.

STEP 7: Restart the PC.

4. Software Installation Information

The board **MUST** be plugged in before installing the driver. See the previous section for instructions on how to install the board in your PC. Refer to the C320Turbo User's Manual for detailed instructions on installing the drivers for this board.

Windows 2003/XP Driver Installation

1. After powering on your PC, log into Win 2003/XP as Administrator.
2. Insert the C320Turbo software CD in your CD-ROM drive.
3. Select **Add/Remove Hardware** from Control Panel.
4. Select **Add a device**.
5. Select **Add new device**.
6. Select **No, I want to select the hardware from a list**.
7. Select **Multi-port serial adapters**.
8. Select **Have Disk**, and then use the browse button to navigate to the CD's **C320\Software\Win2K-XP-2003** folder.
9. Select the C320Turbo driver.

10. Start the installation.

11. Click **Yes** in response to any admonitions that the software doesn't contain a Microsoft digital signature.

12. Click **Finish** to complete the driver installation.

13. If your ISA board configuration is not set as the default, you will need to change the driver settings to match the hardware configuration. Use the **Device Manager** to check if I/O, IRQ, INT vector, etc. are correct.

Windows 2000 Driver Installation

1. After powering on your PC, log into Win 2000 as Administrator.
2. Insert the C320Turbo software CD in your CD-ROM drive.
3. Select **Add/Remove Hardware** from the Control Panel.
4. Select **Add a device**.
5. Select **Add new device**.
6. Select **No, I want to select the hardware from a list**.
7. Select **Multi-port serial adapters**.
8. Select **Have Disk**, and then use the browse button to navigate to the CD's **C320\Software\Win2K-XP-2003** folder.
9. Select C320Turbo driver.
10. Start the installation.
11. Click **Yes** in response to any admonitions that the software doesn't contain a Microsoft digital signature.
12. Click **Finish** to complete the driver installation.
13. If your ISA board configuration is not set as the default, you will need to change the driver settings to match the hardware configuration. Use the **Device Manager** to check if I/O, IRQ, INT vector, etc. are correct.

Windows 95/98 Driver Installation

1. After powering on your PC, log into 95/98 as Administrator.
2. Insert the C320Turbo software CD in your CD-ROM drive.
3. Run **Setup95.exe** for both Windows 95 and Windows 98. In both cases, be sure to install the driver from the CD's **C320\Software\Win9x\Windows.95** folder.
4. After the board has been installed, the installation wizard will open the port configuration window.
5. Configure the I/O, IRQ, INT vector, etc.
6. Restart the OS

Windows NT Driver Installation

1. After powering on your PC, log into NT as Administrator.
2. Copy the folder **C320\Software\WinNT\Windows.nt** to your hard drive.
3. Open the **Control Panel**, click on the **Network** icon, and select the **Adapters** tab.
4. Click the **Add** button, and then **Have Disk...** in the **Select Network Adapter** window.

- Specify the exact path to the folder created in Step 2 above.
- Select **MOXA Intellio C320Turbo series multiport board** in the Select OEM Option window, and then click on **OK** to start installing the driver.
- When the Moxa Configuration Panel dialog box appears, click on **Add** to open the **Property** window to modify port settings and advanced FIFO configuration done automatically by the system.
- Configure the I/O, IRQ, INT vector, etc.
- Restart the OS.

Linux Driver Installation

- Execute the following commands from the Linux prompt:


```
#mount /dev/cdrom /mnt/cdrom
#cd /
#mkdir moxa
#cd moxa
#cp /mnt/cdrom/<driver directory>/mxdrv.tgz .
#tar xvfz mxdrv.tgz
```
- ```
#cd mxdrv
#make clean; make install
```
- ```
#cd /moxa/mxdrv/driver
#./mxmknod
```
- Load the Moxa Driver


```
#insmod moxa
```
- Download the firmware

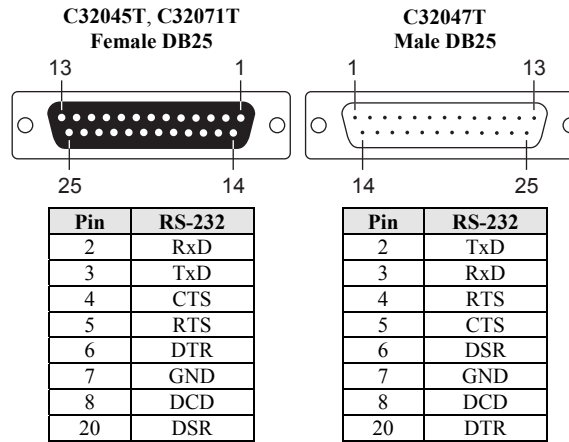

```
# cd /moxa/mxdrv/driver
#./moxaload -y
```
- You can use the Moxa diagnostic utility to verify the driver status:


```
#cd /moxa/mxdrv/utility/diag
#./mxdiag
```
- You can use the Moxa terminal utility to test the tty ports:

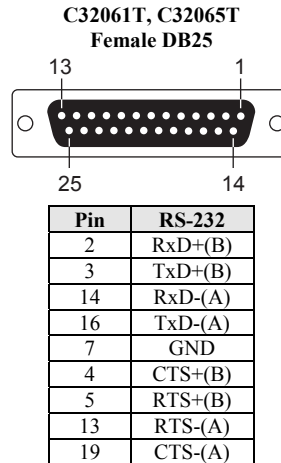

```
#cd /moxa/mxdrv/utility/term
#./mxterm
```

5. Pin Assignments and Cable Wiring

RS-232 Cable Wiring for UART Modules

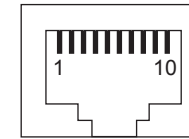


RS-422 Cable Wiring for UART Modules



RS-232 Cable Wiring for Rackmount Solution

C32080T, C32081T,
C32082T, C32083T
10-pin RJ45



Pin	RS-232
1	DCD
2	DSR
3	RTS
4	GND
5	TxD
6	RxD
7	GND
8	CTS
9	DTR

MOXA[®]

Click here for online support:
www.moxa.com/support

The Americas: +1-714-528-6777 (toll-free: 1-888-669-2872)
Europe: +49-89-3 70 03 99-0
Asia-Pacific: +886-2-8919-1230
China: +86-21-5258-9955 (toll-free: 800-820-5036)

© 2008 Moxa Inc., all rights reserved.
Reproduction without permission is prohibited.