

# DA-682A-Ethernet Series Expansion Modules

Expansion modules with 4-port 10/100 Mbps LAN, 8-port unmanaged switch ports, and 4-port 100 Mbps fiber LAN

## Features and Benefits

- 4-port 10/100 Mbps LAN module
- 4-port 100 Mbps Fiber LAN module
- 8-port 10/100 Mbps unmanaged switch module

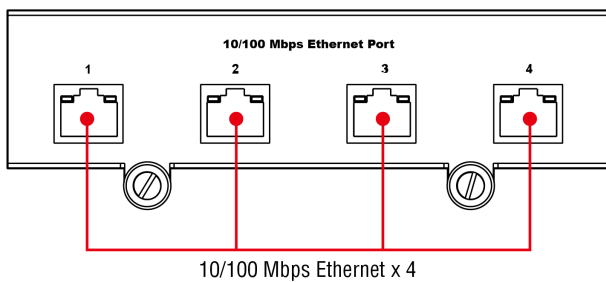


## Introduction

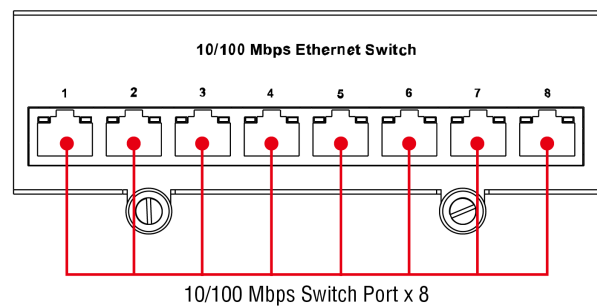
The DA-682A-Ethernet Series expansion modules include a 4-port LAN module, 8-port switch module, and 4-port fiber LAN module for setting up industrial communication applications with Ethernet-based devices. All modules are designed to offer the greatest flexibility for setting up applications and performing industrial tasks. In particular, users can swap out modules quickly and easily.

## Appearance

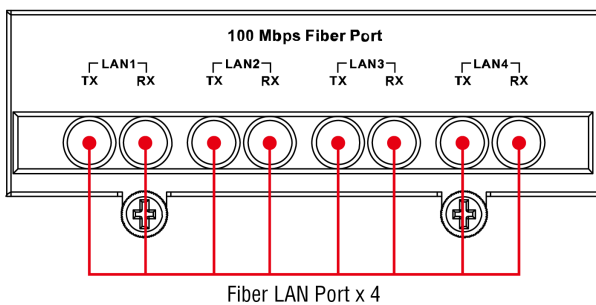
### DA-LN04-RJ



### DA-SW08-RJ



### DA-FX04-MM-ST-T



## Specifications

### Ethernet Interface

10/100BaseT(X) Ports (RJ45 connector)	DA-LN04-RJ: 4 DA-SW08-RJ: 8
100BaseFX Ports (multi-mode ST connector)	DA-FX04-MM-ST-T: 4
Magnetic Isolation Protection	1.5 kV (built-in)

### Physical Characteristics

Dimensions (without ears)	132 x 150 mm (42 x 5.20 in)
Weight	DA-FX04-MM-ST-T: 511 g (1.13 lb) DA-LN04-RJ: 198 g (0.44 lb) DA-SW08-RJ: 165 g (0.43 lb)

### Environmental Limits

Operating Temperature	-25 to 60°C (-13 to 140°F)
Storage Temperature (package included)	-40 to 85°C (-40 to 185°F)
Ambient Relative Humidity	5 to 95% (non-condensing)

### Declaration

Green Product	RoHS, CRoHS, WEEE
---------------	-------------------

### MTBF

Time	DA-FX04-MM-ST-T: 884,764 DA-LN04-RJ: 2,733,138 DA-SW08-RJ: 3,270,114
Standards	Telcordia (Bellcore), GB

### Warranty

Warranty Period	3 years
Details	See <a href="http://www.moxa.com/warranty">www.moxa.com/warranty</a>

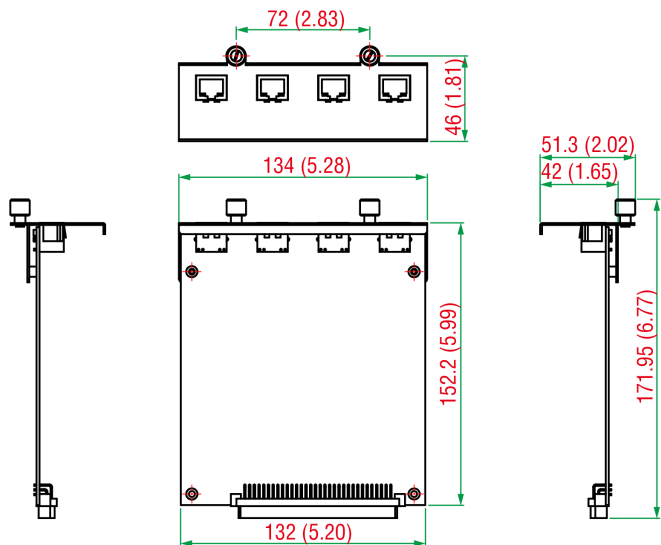
### Package Contents

Device	1 x DA-682A-Ethernet Series expansion module
Documentation	1 x warranty card

## Dimensions

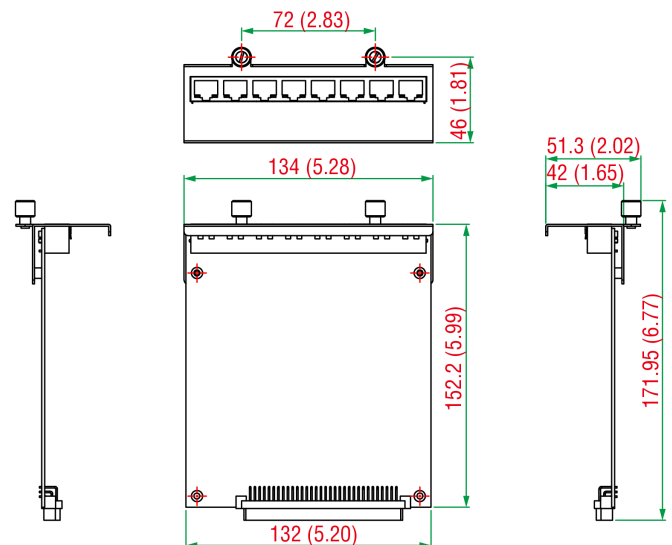
### DA-LN04-RJ

Unit: mm (inch)



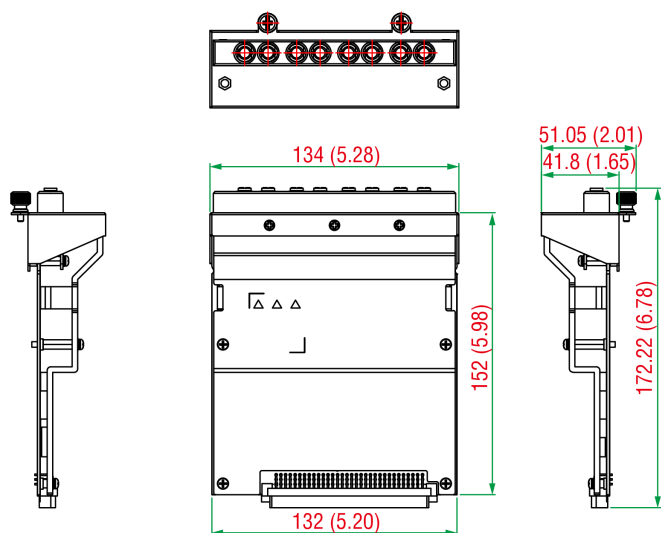
### DA-SW08-RJ

Unit: mm (inch)



### DA-FX04-MM-ST-T

Unit: mm (inch)



## Ordering Information

Model Name	No. of Ports	10/100BaseT	RJ45	100BaseFx Ports	Multi-mode ST Connector
DA-LN04-RJ	4	✓	✓	-	-
DA-SW08-RJ	8	✓	✓	-	-
DA-FX04-MM-ST-T	4	-	-	✓	✓

© Moxa Inc. All rights reserved. Updated Nov 12, 2018.

This document and any portion thereof may not be reproduced or used in any manner whatsoever without the express written permission of Moxa Inc. Product specifications subject to change without notice. Visit our website for the most up-to-date product information.