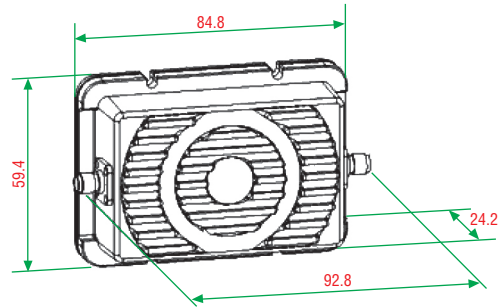


# A-WPA-5010aM-IDU

*5 GHz wireless power amplifier*



Unit: mm

## Specifications

### Wireless Characteristics

**Operation Range:** 5100 to 5900 MHz  
**Operation Mode:** Bi-directional TDD  
**Output Power:** 29±1 dBm  
**Transmit Gain:** 10±2 dB  
**Frequency Response:** ±2 dB  
**Tx Input Power:** 5d Bm (min.) / 18 dBm (max.)  
**Receiver Gain:** 10±2 dB  
**Noise Figure:** 3.5 dB (typ.)  
**Tx/Rx Switch Time:** < 1 us

### Interface

**RF Connector Type:**  
 Input: RP-SMA (male)  
 Output: RP-SMA (female)  
**LED Indicators:**  
 Transmit: Green  
 Receive: Red

### Power

**Power Input:** 12 VDC  
**Power Consumption (@12VDC):**  
 Tx: <1.5A  
 Rx: <80mA  
**Power Cable:** Power plug to power jack cable (included)  
**Dimensions:** 92.8 x 59.4 x 24.2 mm (L x W x H)

### Environmental Limits

-40 to 75°C (-40 to 167°F)

### Warranty

**Warranty Period:** 1 year  
**Details:** See [www.moxa.com/warranty](http://www.moxa.com/warranty)

## Ordering Information

### Available Models

**A-WPA-5010aM-IDU:** 5 GHz wireless power amplifier

### Can be used with the following series

AWK-3121 Series, AWK-3131 Series, AWK-5222 Series, AWK-5232 Series