

UC-8100A-ME-T Series

Arm-based wireless-enabled DIN-rail industrial computer with 2 serial ports and 2 Ethernet ports

Preliminary



Features and Benefits

- Armv7 Cortex-A8 1000 MHz processor
- Moxa Industrial Linux with 10-year long-term support
- Dual auto-sensing 10/100 Mbps Ethernet ports
- SD slot for storage expansion
- Programmable LEDs and a programmable button for easy installation and maintenance
- Mini PCIe slot for cellular module
- -40 to 70°C wide-temperature range with LTE enabled

Certifications



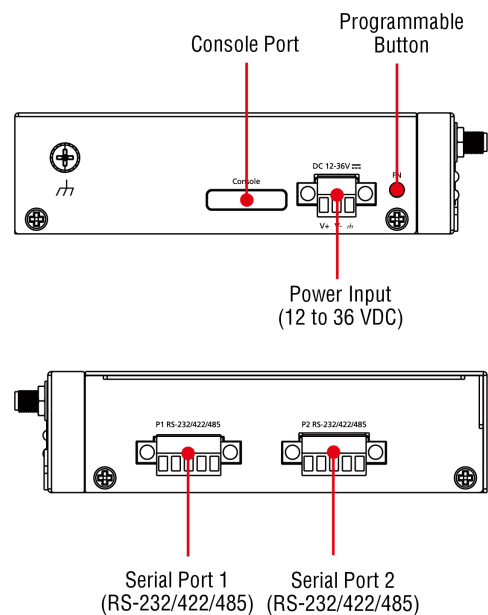
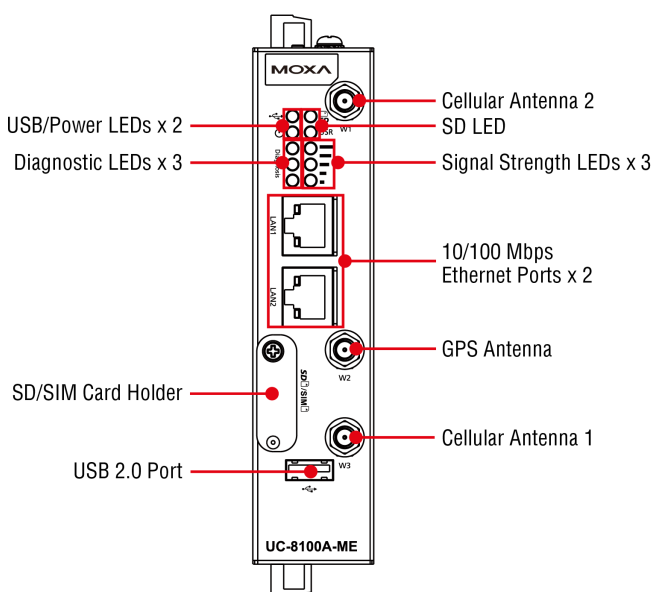
Introduction

The UC-8100A-ME-T computing platform is designed for embedded data acquisition applications. The computer comes with dual RS-232/422/485 serial ports and dual 10/100 Mbps Ethernet ports, as well as a Mini PCIe socket to support cellular modules. These versatile capabilities let users efficiently adapt the UC-8100A-ME-T to a variety of complex communications solutions..

The UC-8100A-ME-T is built around a Cortex-A8 processor that has been optimized for use in energy monitoring systems, but is widely applicable to a variety of industrial solutions. With flexible interfacing options, this tiny embedded computer is a reliable and secure gateway for data acquisition and processing at field sites as well as a useful communications platform for many other large-scale deployments.

Wide-temperature and LTE-enabled models are available. All units are thoroughly tested in a testing chamber, guaranteeing that the LTE-enabled computing platforms are suitable for wide-temperature applications.

Appearance



Specifications

Computer

CPU	Armv7 Cortex-A8 1 GHz
Pre-installed OS	Moxa Industrial Linux (Debian 9, Kernel 4.4)
DRAM	1 GB DDR3
Storage Pre-installed	8 GB eMMC
Storage Slot	SD slots x 1

Computer Interface

TPM	TPM v2.0 (Optional)
USB 2.0	USB 2.0 hosts x 1, type-A connectors
Console Port	RS-232 (TxD, RxD, GND), 4-pin header output (115200, n, 8, 1)
Expansion Slots	UC-8112A-ME-T-LX: mPCIe slot x 1
Number of SIMs	1
SIM Format	Mini
Buttons	Reset button
Ethernet Ports	Auto-sensing 10/100 Mbps ports (RJ45 connector) x 2
Serial Ports	RS-232/422/485 ports x 2, software-selectable (terminal block)
Cellular Antenna Connector	SMA x 2
GPS Antenna Connector	SMA x 1

LED Indicators

System	Power x 1 Programmable x 1 SD slots x 1 USB x 1, Diagnostic x 3
Wireless Signal Strength	Cellular/Wi-Fi x 3

Ethernet Interface

Magnetic Isolation Protection	N/A, 1.5 kV (built-in)
-------------------------------	------------------------

Serial Interface

Data Bits	5, 6, 7, 8
Parity	None, Even, Odd, Space, Mark
Stop Bits	1, 1.5, 2

Serial Signals

RS-232	TxD, RxD, RTS, CTS, DTR, DSR, DCD, GND
RS-422	Tx+, Tx-, Rx+, Rx-, GND
RS-485-2w	Data+, Data-, GND
RS-485-4w	Tx+, Tx-, Rx+, Rx-, GND

Cellular Interface

Band Options (US)	UC-8112A-ME-T-LX-US: LTE Band 2 (1900 MHz) / LTE Band 4 (1700 MHz) / LTE Band 5 (850 MHz) / LTE Band 13 (700 MHz) / LTE Band 17 (700 MHz) UC-8112A-ME-T-LX-US: UMTS/HSPA 850 MHz / 1900 MHz
Band Options (EU)	UC-8112A-ME-T-LX-EU: LTE Band 1 (2100 MHz) / LTE Band 3 (1800 MHz) / LTE Band 5 (850 MHz) / LTE Band 7 (2600 MHz) / LTE Band 8 (900 MHz) / LTE Band 20 (800 MHz) UC-8112A-ME-T-LX-EU: UMTS/HSPA 850 MHz / 900 MHz / 1900 MHz / 2100 MHz
Band Option (APAC)	UC-8112A-ME-T-LX-AP: LTE Band 1 (2100 MHz) / LTE Band 3 (1800 MHz) / LTE Band 5 (850 MHz) / LTE Band 7 (2600 MHz) / LTE Band 8 (900 MHz) / LTE Band 28 (700 MHz) UC-8112A-ME-T-LX-AP: UMTS/HSPA 850 MHz / 900 MHz / 1900 MHz / 2100 MHz

Power Parameters

Input Current	500 mA @ 12 VAC
Input Voltage	12 to 36 VDC
Power Consumption	6 W

Reliability

Alert Tools	External RTC (real-time clock)
Automatic Reboot Trigger	External WDT (watchdog timer)

Physical Characteristics

Dimensions	141 x 125.6 x 54.8 mm (5.55 x 4.94 x 2.15 in)
Housing	Metal
Installation	DIN-rail mounting, Wall mounting (with optional kit)
Weight	550 g (1.22 lb)

Environmental Limits

Ambient Relative Humidity	5 to 95% (non-condensing)
Operating Temperature	UC-8112A-ME-T-LX: -40 to 85°C (-40 to 185°F) UC-8112A-ME-T-LX-AP: -40 to 70°C (-40 to 158°F) UC-8112A-ME-T-LX-US: -40 to 70°C (-40 to 158°F) UC-8112A-ME-T-LX-EU: -40 to 70°C (-40 to 158°F)
Shock	IEC 60068-2-27
Storage Temperature (package included)	-40 to 85°C (-40 to 185°F)
Vibration	2 Grms @ IEC 60068-2-64, random wave, 5-500 Hz, 1 hr per axis (without any USB devices attached)

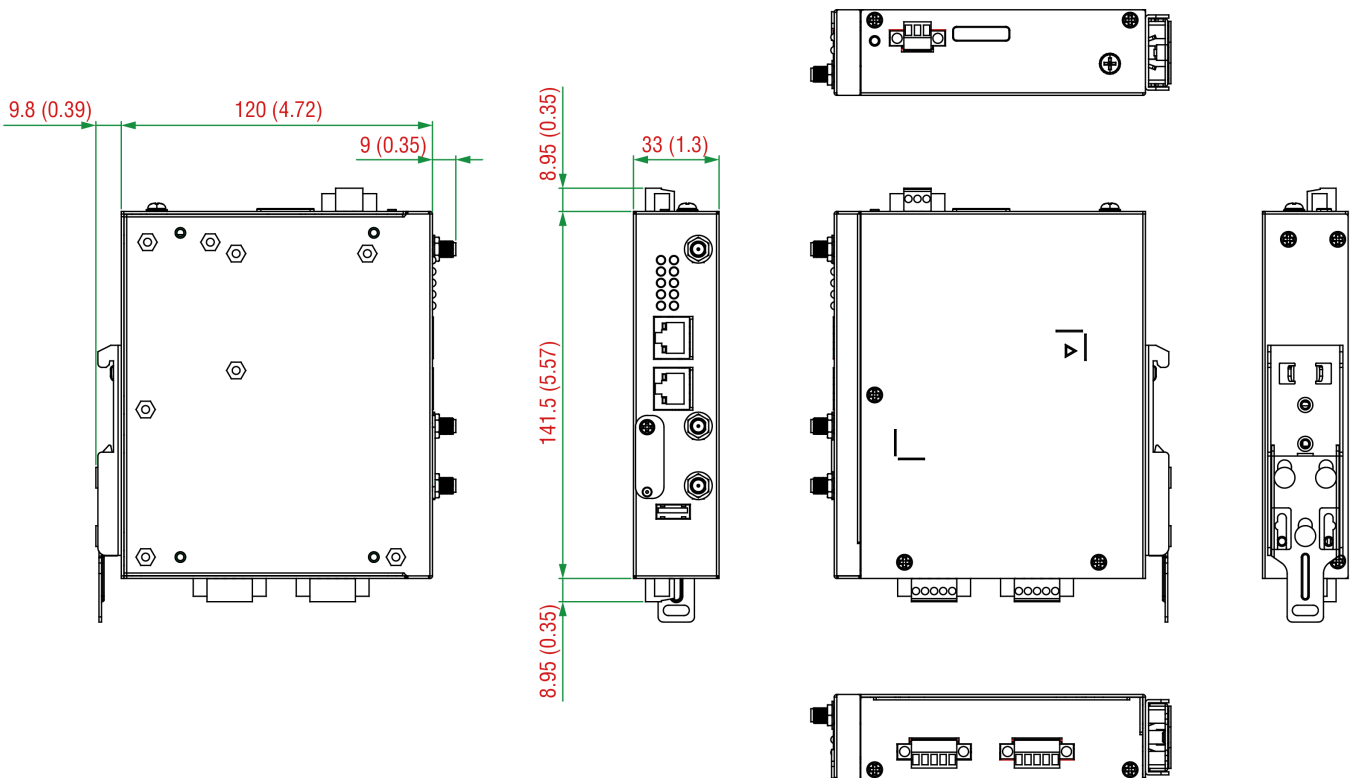
Standards and Certifications

EMC	EN 55032/24
EMI	CISPR 32, FCC Part 15B Class A
EMS	IEC 61000-4-2 ESD: Contact: 8 kV; Air: 15 kV IEC 61000-4-3 RS: 80 MHz to 1 GHz: 20 V/m IEC 61000-4-4 EFT: Power: 4 kV; Signal: 4 kV IEC 61000-4-6 CS: 10 V IEC 61000-4-8 PFMF IEC 61000-4-5 Surge: Power: 1 kV
Green Product	RoHS, CRoHS, WEEE

Hazardous Locations	Class I Division 2
Safety	UL 60950-1
MTBF	
Standards	Telcordia (Bellcore) Standard
Time	535,916 hrs
Warranty	
Warranty Period	5 years
Details	See www.moxa.com/warranty
Package Contents	
Installation	1 x DIN-rail kit (preinstalled), 1 x power jack
Cable	1 x Console cable
Device	1 x UC-8112A-ME-T Series computer
Documentation	1 x quick installation guide 1 x warranty card

Dimensions

Unit: mm (inch)



Ordering Information

Model Name	CPU	RAM	Storage	LTE	Operating Temp.
UC-8112A-ME-T-LX	1 GHz	1 GB	8 GB	-	-40 to 85°C
UC-8112A-ME-T-LX-US	1 GHz	1 GB	8 GB	US Region	-40 to 70°C

Model Name	CPU	RAM	Storage	LTE	Operating Temp.
UC-8112A-ME-T-LX-EU	1 GHz	1 GB	8 GB	EU Region	-40 to 70°C
UC-8112A-ME-T-LX-AP	1 GHz	1 GB	8 GB	APAC Region	-40 to 70°C

Accessories (sold separately)

Power Adapters

PWR-24270-DT-S1	Power adapter, input voltage 90 to 264 VAC, output voltage 24 V with 2.5 A DC load
-----------------	--

Power Cords

PWC-C7AU-2B-183	Power cord with Australian (AU) plug, 2.5A/250V, 1.83 m
PWC-C7EU-2B-183	Power cord with Continental Europe (EU) plug, 2.5A/250V, 1.83 m
PWC-C7CN-2B-183	Power cord with two-prong China (CN) plug, 1.83 m
PWC-C7US-2B-183	Power cord with United States (US) plug, 10A/125V, 1.83 m
PWC-C7UK-2B-183	Power cord with United Kingdom (UK) plug, 2.5A/250V, 1.83 m

Cables

CBL-F9DPF1x4-BK-100	Console cable with 4-pin connector, 1 m
---------------------	---

Antennas

ANT-LTE-OSM-03-3m BK	Multi-band antenna that covers 700-2700 MHz. Specially designed for 2G, 3G, and 4G applications. Magnetic mounting is available
ANT-GPS-OSM-05-3M	Active GPS antenna, 26 dBi, 1572 MHz, L1 band antenna for GPS
ANT-LTE-OSM-06-3m BK MIMO	Multi-band antenna that covers 700-2700/2400-2500/5150-5850 MHz frequencies. Screw-fastened mounting and full IP67 waterproofing are available.
ANT-LTE-ASM-05 BK	LTE stick antenna that covers 704-960/1710-2620 MHz with a gain of 5 dBi.
ANT-LTE-ASM-04 BK	LTE Stick antenna that covers 704-960/1710-2620 MHz providing omnidirectional radiation with a gain of 4.5 dBi.

DIN-Rail Mounting Kits

UC-8100A-ME DIN-Rail Kit	DIN-rail kit with screws. Note: The DIN-rail kit is included in the UC-8100-ME-T series package.
--------------------------	--

Wall-Mounting Kits

UC-8100A-ME Wall Mount Kit	Wall-mounting kit with screws
----------------------------	-------------------------------

© Moxa Inc. All rights reserved. Updated May 30, 2019.

This document and any portion thereof may not be reproduced or used in any manner whatsoever without the express written permission of Moxa Inc. Product specifications subject to change without notice. Visit our website for the most up-to-date product information.