

# **MGate 5135/5435 Series Quick Installation Guide**

---

**Version 1.1, June 2024**

**Technical Support Contact Information**  
**[www.moxa.com/support](http://www.moxa.com/support)**

**MOXA<sup>®</sup>**

© 2024 Moxa Inc. All rights reserved.

**P/N: 1802051350011**



## Overview

The MGate 5135/5435 is an industrial Ethernet gateway for Modbus RTU/ASCII/TCP and EtherNet/IP network communications.

## Package Checklist

Before installing the MGate 5135/5435, verify that the package contains the following items:

- 1 MGate 5135 or MGate 5435 gateway with 1 DIN-rail kit pre-installed
- Quick installation guide (printed)
- Warranty card

**NOTE** Please notify your sales representative if any of the above items are missing or damaged.

### *Optional Accessories (can be purchased separately)*

- **Mini DB9F-to-TB:** DB9 female to terminal block connector
- **WK-25:** Wall-mounting kit, 2 plates, 4 screws, 25 x 43 x 2 mm

## Hardware Introduction

### LED Indicators

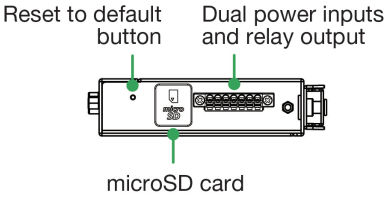
LED	Color	Description
PWR 1, PWR 2	Green	Power is on.
	Off	Power is off.
Ready	Off	Power is off.
	Green	Steady: Power is on, and the MGate is functioning normally.
		Blinking (1 sec.): The MGate has been located by the MGate Manager's Location function.
	Red	Steady: Power is on, and the MGate is booting up.
		Blinking (0.5 sec.): Indicates an IP conflict, or the DHCP or BOOTP server is not responding properly.
Blinking (0.1 sec.): the microSD card failed.		
EtherNet/IP Adapter	Off	No connection has been established.
	Green	Steady: I/O data is being exchanged with all of the connections.
	Red	Steady: Rejects the connection due to incorrect configurations.
		Blinking (1 sec.): One or more connections timed out.
Modbus RTU/ASCII/ TCP Client	Off	No communication with Modbus device.
	Green	Modbus communication in progress.
	Red	Blinking (1 sec.): Communication error.
		1. The Modbus slave device returned an error (exception). 2. Received a frame error (parity error, checksum error). 3. Timeout (the slave device does not respond). 4. TCP connection failed (only for Modbus TCP).

LED	Color	Description
ETH 1, ETH 2	Green	Steady ON: Ethernet link on at 100Mbps.
		Blinking: Data transmitting at 100Mbps.
	Amber	Steady ON: Ethernet link on at 10Mbps.
		Blinking: Data transmitting at 10Mbps.
Off	Ethernet is not connected.	

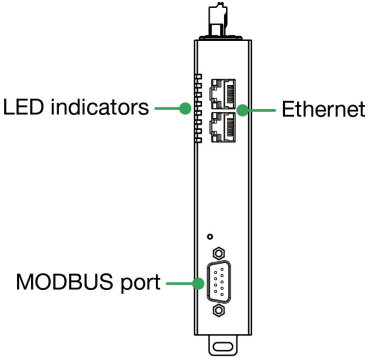
## Panel Layouts

### **MGate 5135**

#### ***Top View***

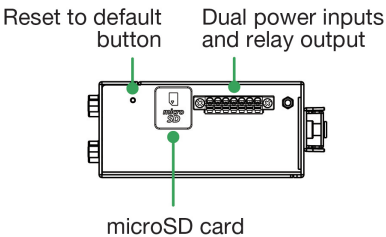


#### ***Front View***

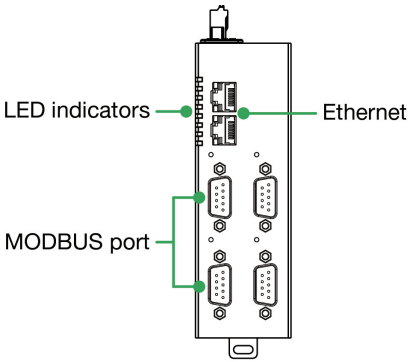


### **MGate 5435**

#### ***Top View***



## Front View

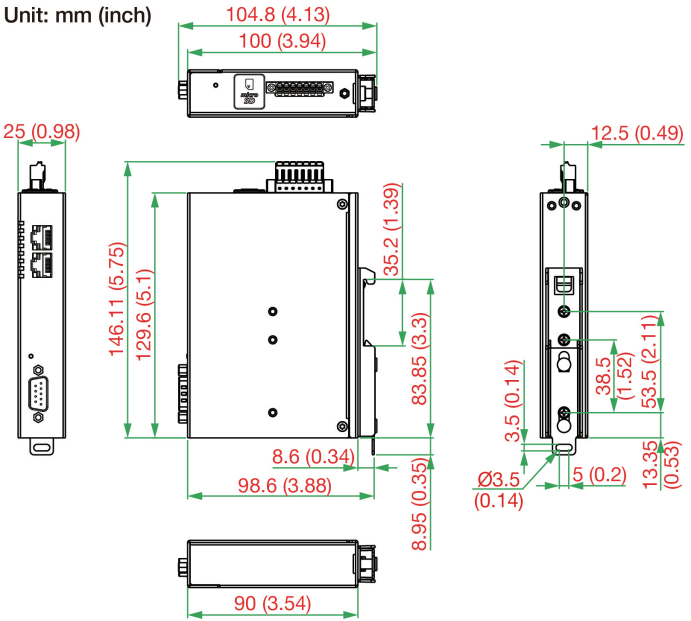


## Dimensions

### **MGate 5135**

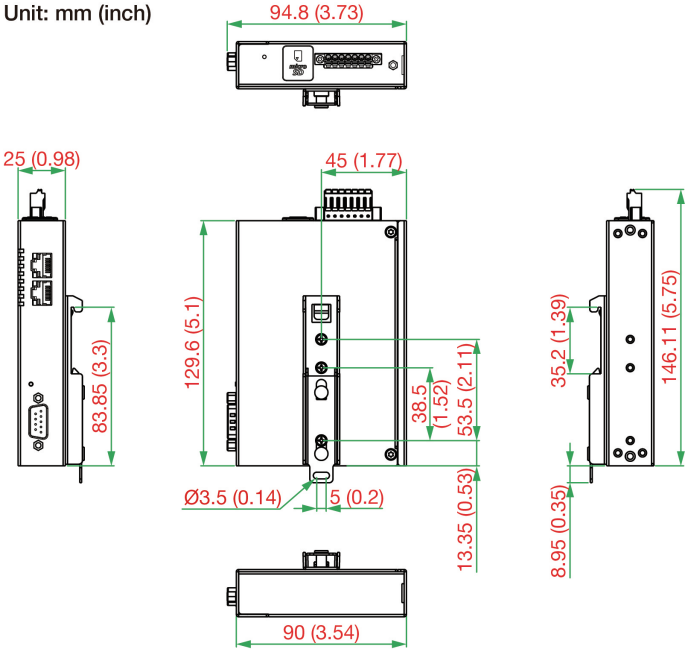
### ***DIN Rail***

Unit: mm (inch)



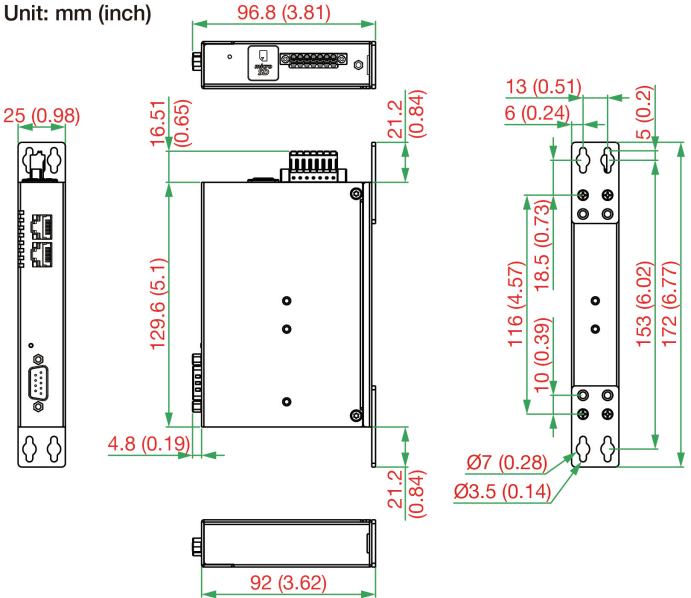
## Side DIN Rail

Unit: mm (inch)



## Wall Mount

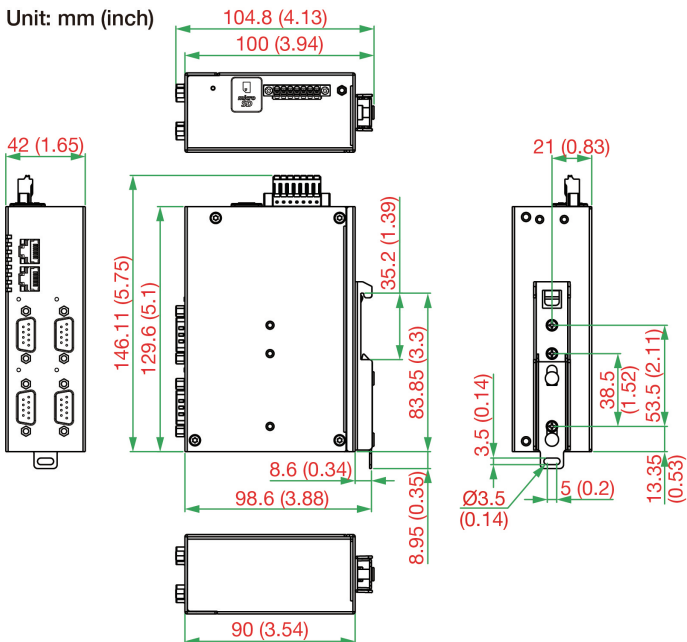
Unit: mm (inch)



## **MGate 5435**

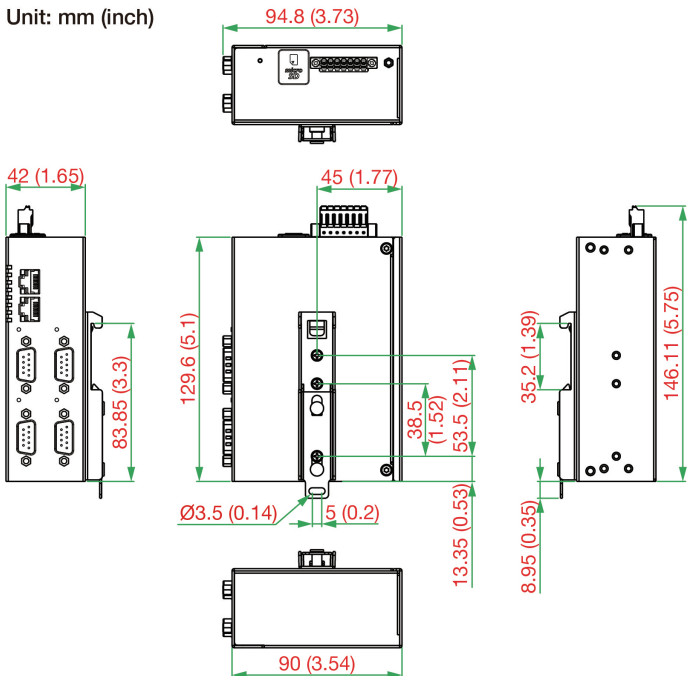
### **DIN Rail**

Unit: mm (inch)



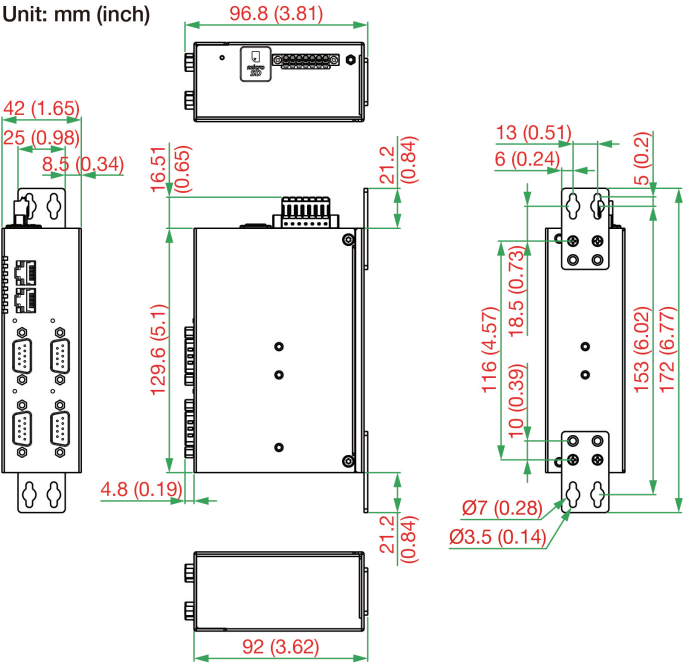
### **Side DIN Rail**

Unit: mm (inch)



## Wall Mount

Unit: mm (inch)



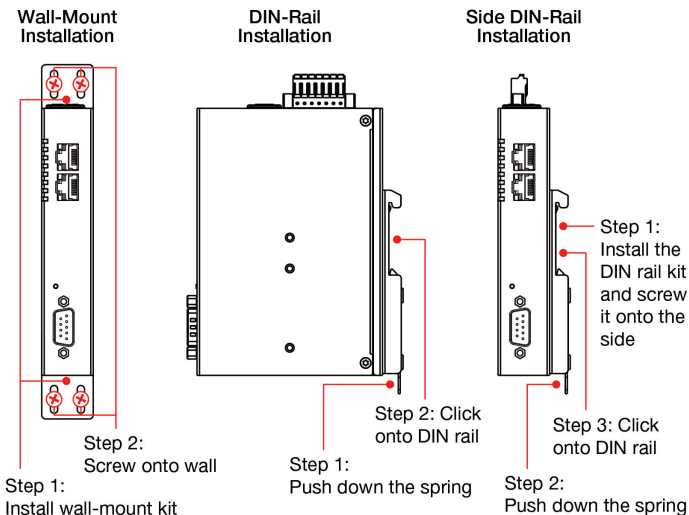
## Reset Button

Restore the MGate to factory default settings by using a pointed object (such as a straightened paper clip) to hold the reset button down until the Ready LED stops blinking (approx. five seconds).

## Hardware Installation Procedure

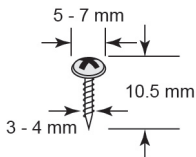
1. Connect the power adapter. Connect the 12 to 48 VDC power line or DIN-rail power supply to the terminal block of the MGate 5135/5435 device.
2. Use a Modbus serial cable to connect the MGate to a Modbus slave device.
3. Use an Ethernet cable to connect the MGate to the EtherNet/IP controller.
4. We designed the MGate 5135/5435 to attach to a DIN rail or mounted on a wall. For DIN-rail mounting, push down the spring and properly attach it to the DIN rail until it "snaps" into place. For wall mounting, install the wall-mount kit (optional) first and then screw the device onto the wall.

The following figure illustrates the three mounting options:



## Wall- or Cabinet-mounting

We provide two metal plates for mounting the unit on a wall or inside a cabinet. Attach the plates to the unit's rear panel with screws. With the plates attached, use screws to mount the unit on a wall. The heads of the screws should be 5 to 7 mm in diameter, the shafts should be 3 to 4 mm in diameter, and the length of the screws should be over 10.5 mm.



## Software Installation Information

Please download the User Manual and Device Search Utility (DSU) from Moxa's website: [www.moxa.com](http://www.moxa.com)

Refer to the User's Manual for additional details on using the DSU. The MGate 5135/5435 also supports login via a web browser.

Default IP address: **192.168.127.254**

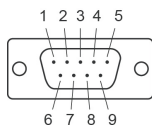
Create your administration account and password when you log in the first time.



## Pin Assignments

### Modbus Serial Port (Male DB9)

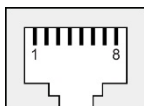
Pin	RS-232	RS-422/ RS-485 (4W)	RS-485 (2W)
1	DCD	TxD-(A)	-
2	RXD	TxD+(B)	-
3	TXD	RxD+(B)	Data+(B)
4	DTR	RxD-(A)	Data-(A)
5*	GND	GND	GND
6	DSR	-	-
7	RTS	-	-
8	CTS	-	-
9	-	-	-



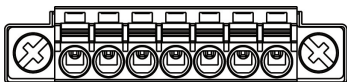
\*Signal ground

### Ethernet Port (RJ45)

Pin	Signal
1	Tx+
2	Tx-
3	Rx+
6	Rx-



### Power Input and Relay Output Pinouts



V2+	V2-				V1+	V1-
DC Power Input 2	DC Power Input 2	N.O.	Common	N.C.	DC Power Input 1	DC Power Input 1

## Specifications

Power Parameters	
Power Input	12 to 48 VDC
Power Consumption	MGate 5135 Series: 455 mA max. MGate 5435 Series: 455 mA max.
Relays	
Contact Current Rating	Resistive load: 2 A @ 30 VDC
Environmental Limits	
Operating Temperature	Standard models: -10 to 60°C (14 to 140°F) Wide temp. models: -40 to 75°C (-40 to 167°F)
Storage Temperature (package included)	-40 to 85°C (-40 to 185°F)
Ambient Relative Humidity	5 to 95% RH

<b>Physical Characteristics</b>	
Dimensions	MGate 5135 Series: 25 x 90 x 129.6 mm (0.98 x 3.54 x 5.1 in) MGate 5435 Series: 42 x 90 x 129.6 mm (1.65 x 3.54 x 5.1 in)
Weight	MGate 5135 Series: 294 g (0.65 lb) MGate 5435 Series: 403 g (0.89 lb)
<b>Reliability</b>	
Alert Tools	Built-in buzzer and RTC
MTBF	MGate 5135 Series: 1,240,821 hrs. MGate 5435 Series: 689,989 hrs.



### **ATTENTION**

Power terminal plug wiring size is 28-14 AWG, tighten to 1.7 in-lbs, wire Min. 80°C, Use copper conductors only.



Hot Surface Label.



Functional earth terminal.



### **ATTENTION**

- This device is an open-type equipment and intended to be installed in a suitable enclosure.
- If the equipment is used in a manner not specified by the manufacturer, the protection provided by the equipment may be impaired.
- When installing, the assembler is responsible for the safety of the system in which the equipment is incorporated.

### **NOTE**

- This device is intended for use indoors and at altitudes up to 2,000 meters.
- Pollution degree 2.

### **NOTE**

Clean the device with a soft cloth, dry or with water.

### **NOTE**

The power input specification complies with the requirements of SELV (Safety Extra Low Voltage), and the power supply should comply with UL 61010-1 and UL 61010-2-201.



## **WARNING**

### **사용자안내문 (User Guide)**

이 기기는 업무용 환경에서 사용할 목적으로 적합성평가를 받은 기기로서가정용 환경에서 사용하는 경우 전파간섭의 우려가 있습니다.

This equipment has KC approval to be used for industrial environments and therefore it has the possibility of interferences with household equipment.

For any repair or maintenance needs, please contact us.

Moxa Inc.

No. 1111, Heping Rd., Bade Dist., Taoyuan City 334004, Taiwan

+886-03-2737575