

SDS-3008 系列

工業級 8 埠智慧型乙太網路交換器



特色與優點

- 輕巧彈性的外殼設計，適合狹小的空間
- 網頁式 GUI，便於裝置配置和管理
- 使用統計資料的連接埠診斷，可偵測和預防問題
- 多語言網頁式 GUI：英文、繁體中文、簡體中文、日文、德文和法文
- 支援 RSTP/STP，可實現網路備援
- 支援基於 IEC 62439-2 的 MRP 備援，確保網路高可用性
- 支援 EtherNet/IP、PROFINET 和 Modbus TCP 工業通訊協定，因此可在自動化 HMI/SCADA 系統中輕鬆整合和監控
- IP 連接埠綁定，確保不需要重新指派 IP 位址即可快速更換關鍵裝置
- 符合 IEC 62443 的資安防護功能

認證



簡介

SDS-3008 智慧型乙太網路交換器是 IA 工程師和自動化機器製造商的理想之選，能夠幫他們搭建符合工業 4.0 願景的網路。智慧型交換器可使機器和控制櫃煥發新的生機，由於配置和安裝簡便，可簡化每日的例行工作。此外，在產品的整個生命週期均可進行監控，而且維護相當簡便。

最常用的自動化通訊協定（包括 EtherNet/IP、PROFINET 和 Modbus TCP）內建於 SDS-3008 交換器中，可從自動化 HMI 控制和查看交換器，提升操作效能和彈性。另外，也支援多種實用的管理功能，包括 IEEE 802.1Q VLAN、連接埠鏡像、SNMP、由繼電器發出警告和多語言網頁式 GUI。

附加特色與優點

- 支援 IEEE 802.1D-2004 和 IEEE 802.1w STP/RSTP，可實現快速網路備援
- IEEE 802.1Q VLAN，用來簡化網路規劃
- 支援 ABC-02-USB 自動備份配置器，可進行快速事件日誌和配置備份。也可啟用快速裝置切換和韌體升級
- 發生例外狀況時透過繼電器輸出自動發出警告
- 未使用的連接埠鎖定、SNMPv3 和 HTTPS，可提高網路安全
- 用於自訂管理和/或使用帳戶的角色型帳戶管理
- 本機日誌和匯出存貨檔案的功能可簡化存貨管理

規格

Input/Output Interface

Alarm Contact Channels	1 Relay output with current carrying capacity of 1 A @ 24 VDC
Buttons	Reset button
Digital Input Channels	1
Digital Inputs	+13 to +30 V for state 1 -30 to +3 V for state 0 Max. input current: 8 mA

Ethernet Interface

10/100BaseT(X) Ports (RJ45 connector)	8 Auto negotiation speed Full/Half duplex mode Auto MDI/MDI-X connection
Standards	IEEE 802.3 for 10BaseT IEEE 802.3u for 100BaseT(X) IEEE 802.3x for flow control IEEE 802.1D-2004 for Spanning Tree Protocol IEEE 802.1w for Rapid Spanning Tree Protocol IEEE 802.1Q for VLAN Tagging IEEE 802.1p for Class of Service

Ethernet Software Features

Industrial Protocols	EtherNet/IP Modbus TCP PROFINET IO Device
Management	Back Pressure Flow Control DHCP Client Flow control IPv4/IPv6 LLDP Port Mirror SNMP Inform SNMPv1/v2c/v3 Syslog
MIB	RFC1213 Ethernet-like MIB IF MIB LLDP MIB Bridge MIB Q-BRIDGE MIB
Redundancy Protocols	RSTP STP MRP
Security	Broadcast storm protection HTTPS/SSL SNMPv3 Port Lock
Time Management	NTP Server/Client SNTP
Filter	802.1Q VLAN

Switch Properties

MAC Table Size	8 K
Max. No. of VLANs	8
VLAN ID Range	VID 1 to 4094
Packet Buffer Size	3 Mbits

USB Interface

Storage Port	USB Type A
--------------	------------

LED Interface

LED Indicators	PWR1, PWR2, STATE, FAULT, 10/100M (TP Port)
----------------	---

Power Parameters

Connection	2 removable 4-contact terminal block(s)
Input Voltage	12/24/48/-48 VDC Redundant dual inputs
Operating Voltage	9.6 to 60 VDC
Input Current	0.55 A @ 24 VDC
Overload Current Protection	Supported
Reverse Polarity Protection	Supported

Physical Characteristics

Housing	Metal
IP Rating	IP40
Dimensions	20 x 135 x 111 mm (0.79 x 5.32 x 4.37 in)
Weight	438 g (0.97 lb)
Installation	DIN-rail mounting

Environmental Limits

Operating Temperature	SDS-3008: -10 to 60°C (14 to 140°F) SDS-3008-T: -40 to 75°C (-40 to 167°F)
Storage Temperature (package included)	-40 to 85°C (-40 to 185°F)
Ambient Relative Humidity	5 to 95% (non-condensing)

Standards and Certifications

EMC	EN 55032/35 EN 61000-6-2/-6-4
EMI	CISPR 32, FCC Part 15B Class A
EMS	IEC 61000-4-2 ESD: Contact: 6 kV; Air: 8 kV IEC 61000-4-3 RS: 80 MHz to 1 GHz: 20 V/m IEC 61000-4-4 EFT: Power: 2 kV; Signal: 2 kV IEC 61000-4-5 Surge: Power: 2 kV; Signal: 2 kV IEC 61000-4-6 CS: 10 V IEC 61000-4-8 PFMF
Safety	EN 60950-1 (LVD) UL 61010-2-201
Shock	IEC 60068-2-27
Freefall	IEC 60068-2-32
Vibration	IEC 60068-2-6

MTBF

Time	1,391,620 hrs
Standards	Telcordia (Bellcore), GB

Warranty

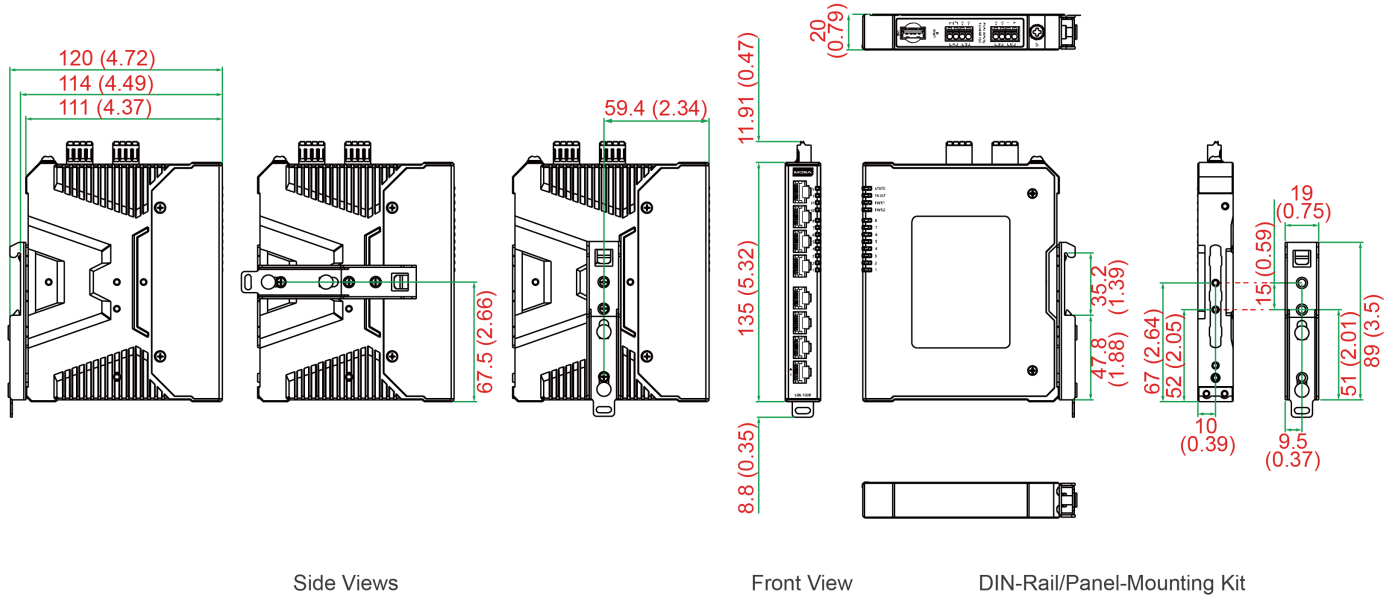
Warranty Period	5 years
Details	See www.moxa.com/tw/warranty

Package Contents

Device	1 x SDS-3008 Series switch
Installation Kit	4 x cap, plastic, for RJ45 port
Documentation	1 x product certificates of quality inspection, Simplified Chinese 1 x product notice, Simplified Chinese 1 x quick installation guide 1 x warranty card

尺寸

單位：公釐 (英吋)



訂購資訊

Model Name	Layer	Total No. of Ports	10/100BaseT(X) Ports 10RJ45 Connector	Operating Temp.
SDS-3008	2	8	8	-10 to 60°C
SDS-3008-T	2	8	8	-40 to 75°C

配件 (選購)

Storage Kits

ABC-02-USB	Configuration backup and restoration tool, firmware upgrade, and log file storage tool for managed Ethernet switches and routers, 0 to 60°C operating temperature
ABC-02-USB-T	Configuration backup and restoration tool, firmware upgrade, and log file storage tool for managed Ethernet switches and routers, -40 to 75°C operating temperature

Power Supplies

DR-120-24	120W/2.5A DIN-rail 24 VDC power supply with universal 88 to 132 VAC or 176 to 264 VAC input by switch, or 248 to 370 VDC input, -10 to 60°C operating temperature
DR-4524	45W/2A DIN-rail 24 VDC power supply with universal 85 to 264 VAC or 120 to 370 VDC input, -10 to 50°C operating temperature
DR-75-24	75W/3.2A DIN-rail 24 VDC power supply with universal 85 to 264 VAC or 120 to 370 VDC input, -10 to 60°C operating temperature
MDR-40-24	DIN-rail 24 VDC power supply with 40W/1.7A, 85 to 264 VAC, or 120 to 370 VDC input, -20 to 70°C operating temperature

MDR-60-24

DIN-rail 24 VDC power supply with 60W/2.5A, 85 to 264 VAC, or 120 to 370 VDC input, -20 to 70°C operating temperature

Rack-Mounting Kits

RK-4U

19-inch rack-mounting kit

© Moxa Inc. 版權所有.2023 年 9 月 19 日更新。

未經 Moxa Inc. 明確書面許可，不得以任何方式複製或使用本文件及其任何部分。產品規格如有變更，恕不另行通知。請至本公司官網了解最新的產品資訊。