

CCG-1500 系列

工業專用5G 行動通訊閘道器



特色與優點

- Qualcomm® Snapdragon™ X55
- 具備工業級FCC/UL/NCC/JET/Telec 認證的5G 媒體轉換器
- 雙 SIM 插槽
- 2 個自動感應 10/100/1000 Mbps 乙太網路連接埠
- 1 個RS-232/422/485 序列埠
- 易於安裝和維護的LED
- -40 至 70°C 的寬溫度設計

認證



簡介

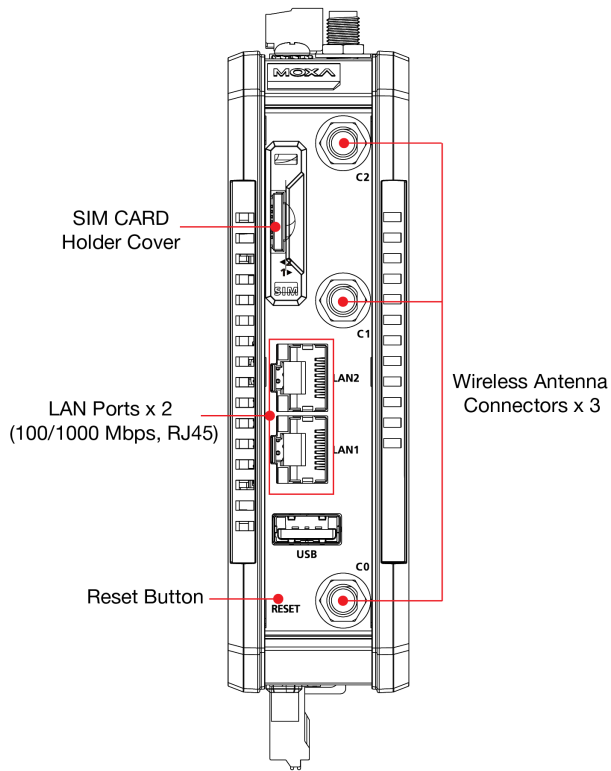
CCG-1500 系列專為媒體轉換器和協定轉換器設計。此媒體轉換器包括5G 至乙太網路和5G 至序列埠，可用於公共和私人網路。協定轉換器主要用於 Modbus TCP/RTU 轉換。5G 介面可使用Modbus TCP，而序列介面可處理Modbus RTU。

CCG-1500 基於Qualcomm® Snapdragon™ X55 Cortex-A7 處理器構建，此處理器針對了媒體轉換場景進行最佳化，且廣泛應用於各種工業解決方案。這款輕薄的嵌入式轉換器是一款可靠且安全的閘道，具備彈性的介面選項，可協助現場進行資料處理，同時也適用於大規模部署的實用通訊平台。

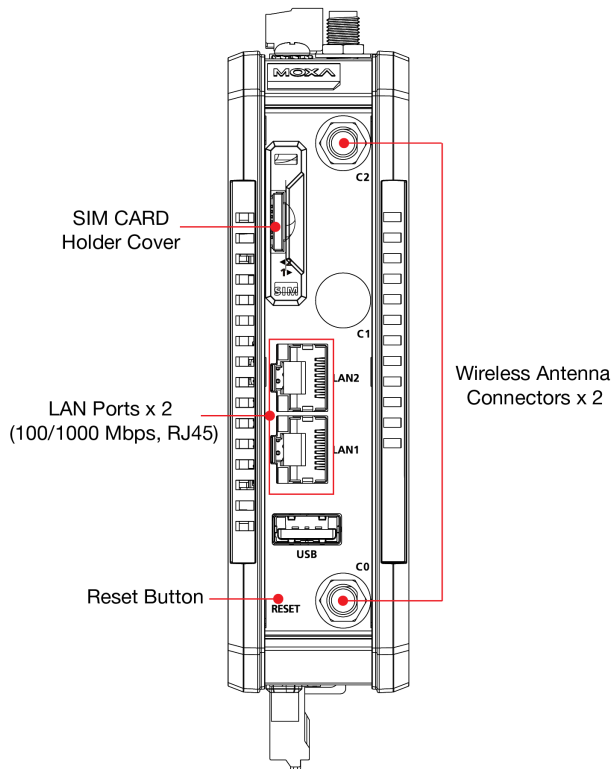
已啟用5G 的寬溫度型號可用於延伸的溫度應用。所有裝置全都在試驗室中經過完整測試，保證已啟用5G 運算平台適用於寬溫應用。

外觀

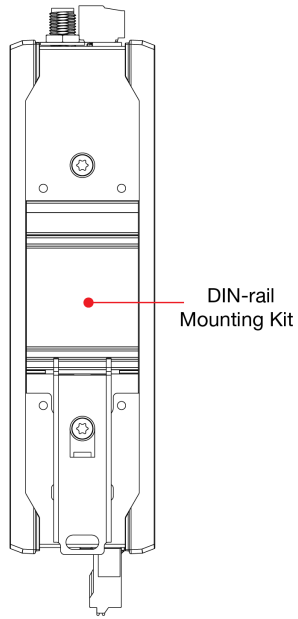
CCG-1510 前視圖



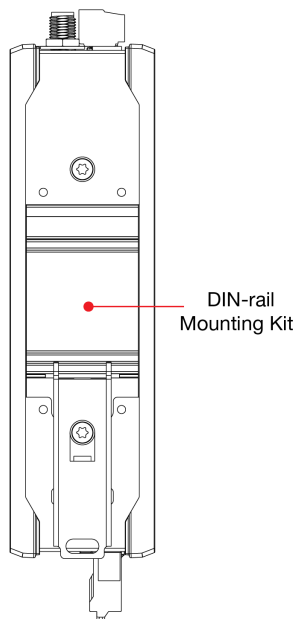
CCG-1520 前視圖



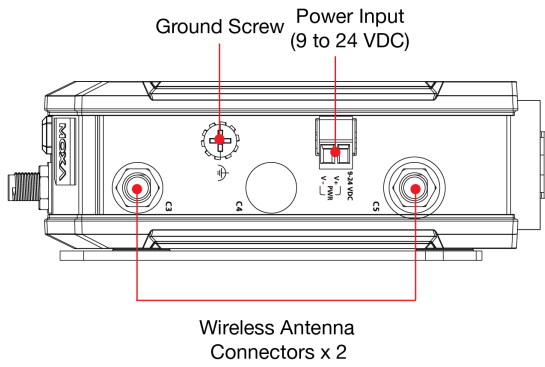
CCG-1510 後視圖



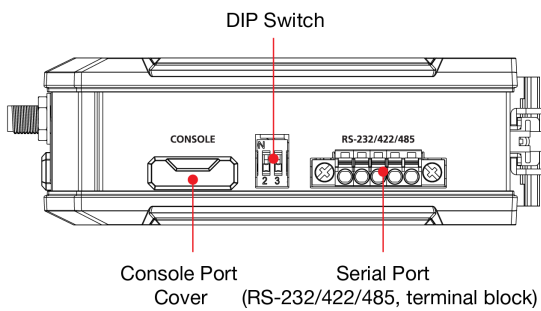
CCG-1520 後視圖



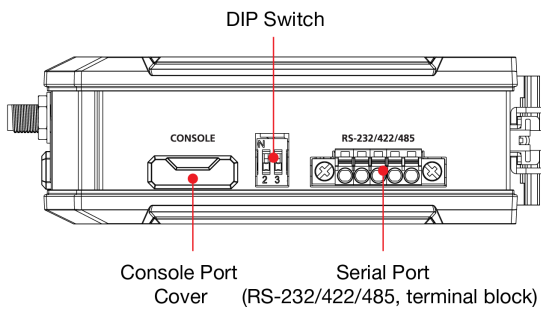
俯視圖



CCG-1510 底視圖



CCG-1520 底視圖



規格

Media Converter Interface

Ethernet Ports	Auto sensing 10/100/1000 Mbps ports (RJ45 connector) x 2
Serial Ports	RS-232/422/485 ports x 1 (5-pin terminal block)
Cellular Antenna Connector (with GPS)	CCG-1510 models: SMA x 6 CCG-1520 models: SMA x 4
SIM Format	Nano
Number of SIMs	2

Ethernet Interface

10/100/1000BaseT(X) Ports (RJ45 connector)	2
Standards	IEEE 802.3 for 10BaseT IEEE 802.3ab for 1000BaseT(X) IEEE 802.3u for 100BaseT(X)
Magnetic Isolation Protection	1.5 kV (built-in)

Serial Interface

Console Port	1 x 4-pin header to DB9 console port
Data Bits	5, 6, 7, 8
Parity	None, Even, Odd, Space, Mark
Stop Bits	1, 1.5, 2
Baudrate	9600 to 115200 bps

Serial Signals

RS-232	TxD, RxD, RTS, CTS, GND
RS-422	Tx+, Tx-, Rx+, Rx-, GND
RS-485-4w	Tx+, Tx-, Rx+, Rx-, GND

Ethernet Software Features

Configuration Options	Web Console (HTTPS)
Management	LwM2M Client
Network Protocols	VxLAN IP Passthrough NAT Modbus RTU to TCP
Firewall	Filter: ICMP, IP Address

Cellular Interface

Cellular Standards	5G R15
Frequency Bands Supported	CCG-1510-TW-T: NR: N1 / N3 / N28 / N41 / N78 LTE: B1 / B3 / B7 / B8 / B28 / B38 CCG-1510-US-T: NR: N48 CCG-1510-T: NR: N1 / N3 / N28 / N41 / N48 / N77 / N78 LTE: B1 / B3 / B7 / B8 / B28 / B38 CCG-1520-T: NR: N79

LED Indicators

System	Power x 1 SIM card indicator x 1 5G / LTE indicator x 1
Wireless Signal Strength	Cellular x 3

Power Parameters

Input Voltage	9 to 24 VDC
Power Consumption	Average: 8 W Peak: 11 W
Input Current	9 to 24 VDC @ 1.33 to 0.5 A min
Power Connector	Terminal block

Physical Characteristics

Dimensions	100 x 125 x 35.2 mm (3.93 x 4.92 x 1.38 in)
Housing	Metal SECC
Installation	DIN-rail mounting Wall mounting (with optional kit)
IP Rating	IP30 Note: The rubber SIM cover and console port cover should be attached. For CCG-1520-T, the SMA protection cover must also be attached.
Weight	750 g (1.65 lb)

Environmental Limits

Operating Temperature	-40 to 70°C (-40 to 158°F)
Storage Temperature (package included)	-20 to 70°C (-4 to 158°F)
Ambient Relative Humidity	5 to 95% (non-condensing)

MTBF

Time	1,036,724 hrs
Standards	Telcordia SR332

Warranty

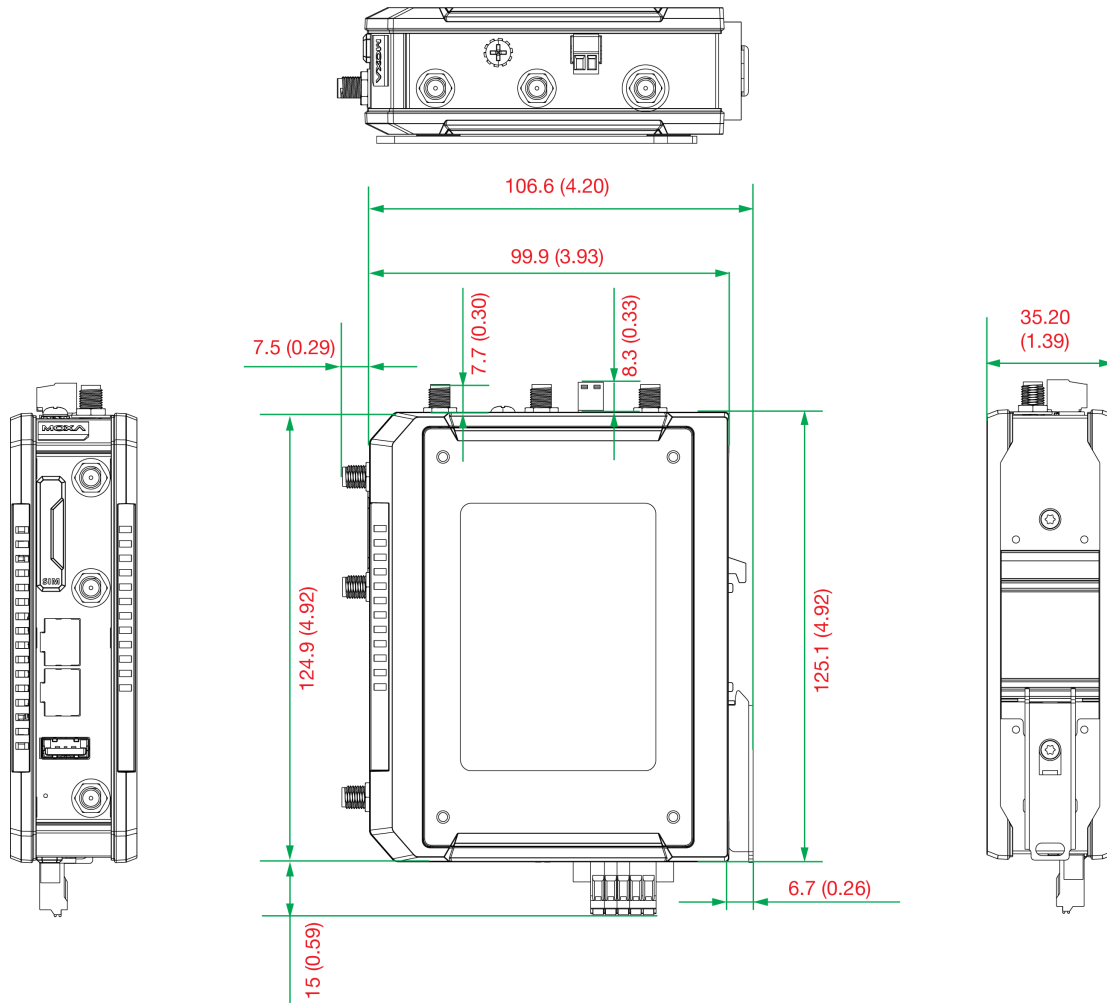
Warranty Period	5 years
Details	See www.moxa.com/tw/warranty

Package Contents

Device	1 x CCG-1500 Series media and protocol converter
Antenna	CCG-1510 models: Antennas x 6 CCG-1520 models: Antennas x 4
Installation Kit	1 x DIN-rail kit
Documentation	1 x quick installation guide 1 x warranty card

尺寸

單位：公釐（英吋）



訂購資訊

Model Name	Ethernet Ports	Cellular/Band	Serial Ports
CCG-1510-TW-T	2	5G R15/ NR: N1 / N3 / N28 / N41 / N78 LTE: B1 / B3 / B7 / B8 / B28 / B38	1
CCG-1510-US-T	2	5G R15/ NR: N48	1
CCG-1510-T	2	5G R15/ NR: N1 / N3 / N28 / N41 / N48 / N77 / N78 LTE: B1 / B3 / B7 / B8 / B28 / B38	1
CCG-1520-T	2	5G R15/ NR: N79	1

配件（選購）

Wall-Mounting Kits

WK-160-02	Wall-mounting kit with 1 plate (160 x 89 x 2.0 mm), 4 screws, gray
-----------	--

© Moxa Inc. 版權所有.2024 年 7 月 22 日更新。

未經 Moxa Inc. 明確書面許可，不得以任何方式複製或使用本文件及其任何部分。產品規格如有變更，恕不另行通知。請至本公司官網了解最新的產品資訊。