

# UPort 1200-G2 系列

## 2 埠 RS-485 USB 轉串列轉換器



### 特色與優點

- USB 3.2 超高速功能
- 50 bps 至 921.6 kbps 鮑率 (支援非標準鮑率)
- 512 位元組晶片 FIFO 快取和流量控制可增強效能
- 角落的雙面 LED 可全方位顯示電源、TX 和 RX 狀態
- 支援多種作業系統的驅動程式，包括 Windows 和 Linux
- 連接更牢固的閉鎖式 USB 銅纜設計
- 寬溫型號適用於 -40 至 75°C ( -40 至 167°F ) 環境
- 內建 2 kV 光電隔離保護的串列埠 (適用於「-I」型號)

### 認證



### 簡介

UPort® 1200-G2 系列 USB 轉串列轉換器非常適合需要串列埠擴充的筆記型電腦或工作站電腦。對於需要在現場連接不同串列設備或是沒有標準 COM 埠或 DB9 接頭獨立介面轉換器的電腦來說，必不可少。電腦還配備了纜線，其具有閉鎖和螺絲鎖以確保 UPort 和電腦之間更加安全的連接。UPort® 1200-G2 系列可將 USB 轉換為 RS-485。所有產品均與傳統串列設備相容，並適用於儀器儀表以及銷售點終端(point-of-sale)應用。

### 規格

#### USB Interface

USB Standards	USB 3.2 Gen 1 USB 1.1/2.0 compliant
Speed	5 Gbps, 480 Mbps, 12 Mbps
No. of USB Ports	1
USB Connector	USB Type B

#### Serial Interface

Connector	DB9 male
Baudrate	50 bps to 921.6 kbps (supports non-standard baudrates)
FIFO	512 bytes
Parity	None, Even, Odd, Space, Mark
Data Bits	5, 6, 7, 8
Stop Bits	1, 1.5, 2
Pull High/Low Resistor for RS-485	1 kilo-ohm, 150 kilo-ohms
Terminator for RS-485	120 ohms
Flow Control	RTS/CTS, XON/XOFF

RS-485 Data Direction Control	Automatic Data Direction Control (ADDC)
Surge	0.5 kV
Isolation	2 kV (I models)
Serial Standards	RS-232/422/485
No. of Ports	2

### Serial Signals

RS-232	TxD, RxD, RTS, CTS, DTR, DSR, DCD, GND
RS-422	Tx+, Tx-, Rx+, Rx-, GND
RS-485-4w	Tx+, Tx-, Rx+, Rx-, GND
RS-485-2w	Data+, Data-, GND

### Serial Software Features

Windows Drivers	Windows 11, 10, 8.1, 8 and 7 Windows Server 2022, 2019, 2016, 2012 R2, 2012 and 2008 R2
Linux Drivers	Kernel 6.x, 5.x and 4.x
Mac Drivers	macOS version (Intel 64): 13, 12, 11 and 10.1x
Virtual Machine	VMware Fusion (Windows on macOS 13, 12, 11, 10.1x, Intel 64) VMWare ESXi (Linux kernel 4) Parallels Desktop (Windows on macOS 13, 12, 11, 10.1x, Intel 64)
Arm®-based Platform Support	Linux kernel 6.x, 5.x and 4.x
Android API	Android 3.1.x and later

### Power Parameters

Input Voltage	5 VDC by USB bus power
---------------	------------------------

### Physical Characteristics

Housing	Metal
IP Rating	IP20
Dimensions	75.8 x 25.0 x 111.0 mm (2.98 x 0.98 x 4.37 in)
Weight	UPort 1250-G2 models: 259 g (0.57 lb) UPort 1250I-G2 models: 263 g (0.58 lb)

### Environmental Limits

Operating Temperature	Standard models: 0 to 60°C (32 to 140°F) -T models: -40 to 75°C (-40 to 167°F)
Storage Temperature	-40 to 75°C (-40 to 167°F)
Ambient Relative Humidity	5 to 95% (non-condensing)

### Standards and Certifications

EMC	EN 55032/35
EMI	CISPR 32, FCC Part 15B Class A
EMS	IEC 61000-4-2 ESD: Contact: 4 kV; Air: 8 kV IEC 61000-4-3 RS: 80 MHz to 1 GHz: 3 V/m IEC 61000-4-4 EFT: Power: 1 kV

	IEC 61000-4-5 Surge: Power: 1 kV, Signal: 0.5 kV IEC 61000-4-6 CS: 3 V; 150 kHz to 80 MHz IEC 61000-4-8 PFMF
Safety	IEC 62368-1 EN 62368-1 UL 62368-1 (CB) KC
Freefall	IEC 60068-2-31
Vibration	IEC 60068-2-6 IEC 60068-2-64
Shock	IEC 60068-2-27

#### Declaration

Green Product	RoHS, CRoHS, WEEE
---------------	-------------------

#### MTBF

Standards	Telcordia Standard SR332
Time	UPort 1250-G2 models: 2,142,392 hrs UPort 1250I-G2 models: 1,793,060 hrs

#### Package Contents

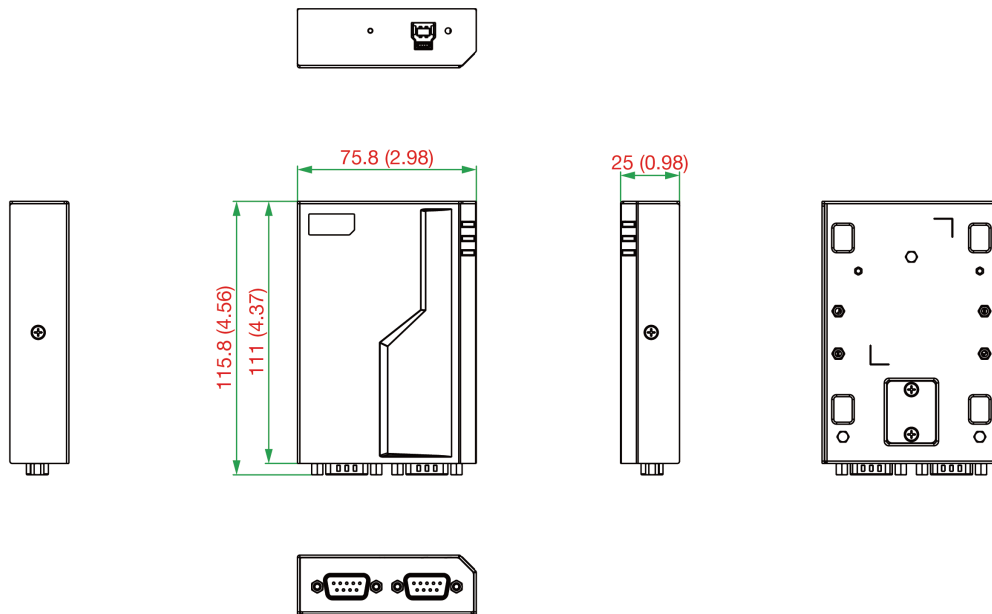
Device	1 x UPort 1200-G2
Cable	1 x USB 3.2 Gen 1 cable with latch and screw
Installation Kit	4 x rubber stand
Documentation	1 x warranty card 1 x quick installation guide

#### Warranty

Warranty Period	5 years Note: For product only
Details	See <a href="http://www.moxa.com/tw/warranty">www.moxa.com/tw/warranty</a>

## 尺寸

單位：公釐（英吋）



## 訂購資訊

Model Name	Serial Standards	No. of Serial Ports	Isolation	Power Input	Operating Temp.
UPort 1250-G2	RS-232/422/485	2	-	USB bus power	0 to 60°C
UPort 1250-G2-T	RS-232/422/485	2	-	USB bus power	-40 to 75°C
UPort 1250I-G2	RS-232/422/485	2	2 kV	USB bus power	0 to 60°C
UPort 1250I-G2-T	RS-232/422/485	2	2 kV	USB bus power	-40 to 75°C

## 配件

### Cables

CBL-USB3-BA-G-120	USB 3.2 Gen 1 cable, type A-to-type B with latch and screw, 1.2 m
CBL-USB3-BA-G-028	USB 3.2 Gen 1 cable, type A-to-type B with latch and screw, 0.28 m
CBL-USB3-BA-BK-120	USB 3.2 Gen 1 cable, type A-to-type B, 1.2 m
CBL-F9M9-20	DB9 female to DB9 male serial cable, 20 cm
CBL-F9M9-150	DB9 female to DB9 male serial cable, 1.5 m

### Connectors

LB-DB9F-G-01	Serial loopback DB9 adaptor
Mini DB9F-to-TB	DB9 female to terminal block connector
ADP-RJ458P-DB9F	DB9 female to RJ45 connector

### DIN-Rail Mounting Kits

DK-UP1200	DIN rail (25x48.3 mm) with 2 screws (FMS M3X6)
-----------	--

### Wall-Mounting Kits

WK-35-02	Wall-mounting kit with 2 plates (35 x 24 x 1.2 mm) and 6 screws
----------	---

© Moxa Inc. 版權所有。2024 年 2 月 01 日更新。

未經 Moxa Inc. 明確書面許可，不得以任何方式複製或使用本文件及其任何部分。產品規格如有變更，恕不另行通知。請至本公司官網了解最新的產品資訊。