

SDS-(G)3006/SDS-(G)3008 Series Quick Installation Guide

Moxa's Industrial Smart Ethernet Switch

Version 4.1, December 2024

Technical Support Contact Information
www.moxa.com/support

MOXA®

© 2024 Moxa Inc. All rights reserved.

P/N: 1802300800016



Overview

The SDS-(G)3000 industrial smart Ethernet switch is the ideal device for IA engineers and automation machine builders to make their networks compatible with the vision of Industry 4.0. By breathing life into machines and control cabinets, the smart switch simplifies daily tasks with its easy configuration and installation. In addition, it is easy to monitor and maintain throughout the entire product life cycle.

The most frequently used automation protocols—including EtherNet/IP, PROFINET, and Modbus/TCP—are embedded in the SDS-(G)3000 to provide enhanced operational performance and flexibility by making it controllable and visible from automation HMIs. It also supports a range of useful management functions, including IEEE 802.1Q VLAN, port mirroring, SNMP, and warning by relay.

Package Checklist

The SDS-(G)3000 Series is shipped with the following items. If any of these items are missing or damaged, please contact your customer service representative for assistance.

- 1 SDS-(G)3000 industrial smart Ethernet switch
- Quick installation guide (printed)
- Warranty card
- Substance disclosure table
- Product certificate of quality inspection (Simplified Chinese)
- Product notices (Simplified Chinese)

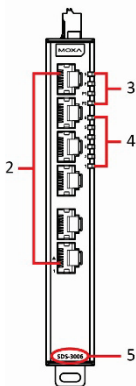
Default Settings

- IP address: 192.168.127.253
- Subnet Mask: 255.255.255.0
- Usernames: admin, user
- Password: moxa

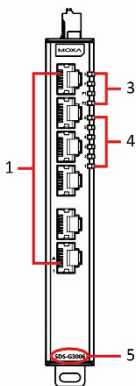
SDS-(G)3006/(G)3008 Panel Layout

Front Panel

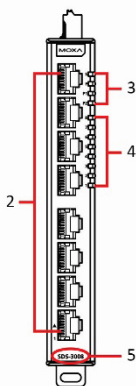
SDS-3006



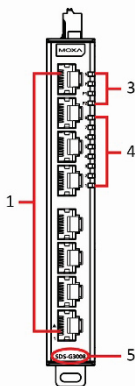
SDS-G3006



SDS-3008

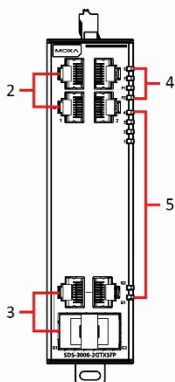


SDS-G3008

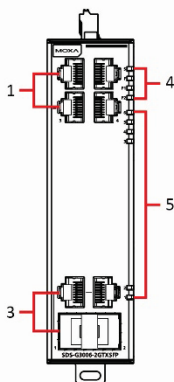


1. 10/100/1000BaseT(X) ports
2. 10/100BaseT(X) ports
3. System LEDs: STATE (S), FAULT (F), PWR1 (P1), PWR2 (P2)
4. Port LEDs
5. Model name

SDS-3006-2GTXSFP



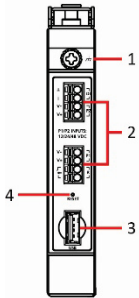
SDS-G3006-2GTXSFP



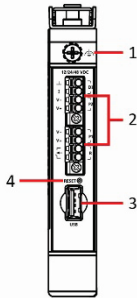
1. 10/100/1000BaseT(X) ports
2. 10/100BaseT(X) ports
3. 10/100/1000BaseT(X) or 100/1000BaseSFP combo ports
4. System LEDs: STATE (S), FAULT (F), PWR1 (P1), PWR2 (P2)
5. Port LEDs

Top Panel

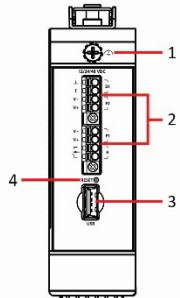
SDS-3008



SDS-(G)3006/G3008



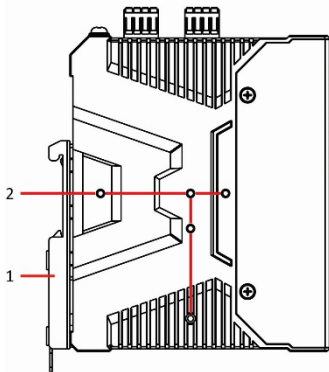
SDS-(G)3006-2GTXSFP



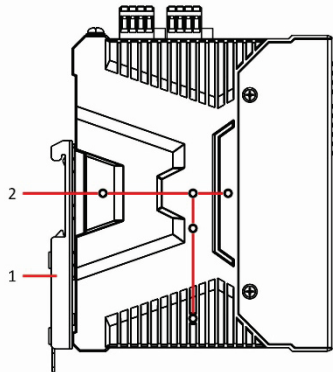
1. Ground connector screw
2. Terminal blocks for power input, digital input, and relay output
3. USB storage port (type A connector)
4. Reset button

Side Panel

SDS-3008



SDS-(G)3006/G3008/
SDS-(G)3006-2GTXSFP



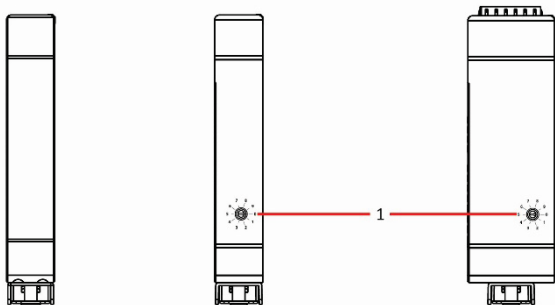
1. DIN-rail mounting kit
2. Screw hole (used for sideways DIN-rail mounting options)

Bottom Panel

SDS-3008

SDS-(G)3006/G3008

SDS-(G)3006-2GTXSFP

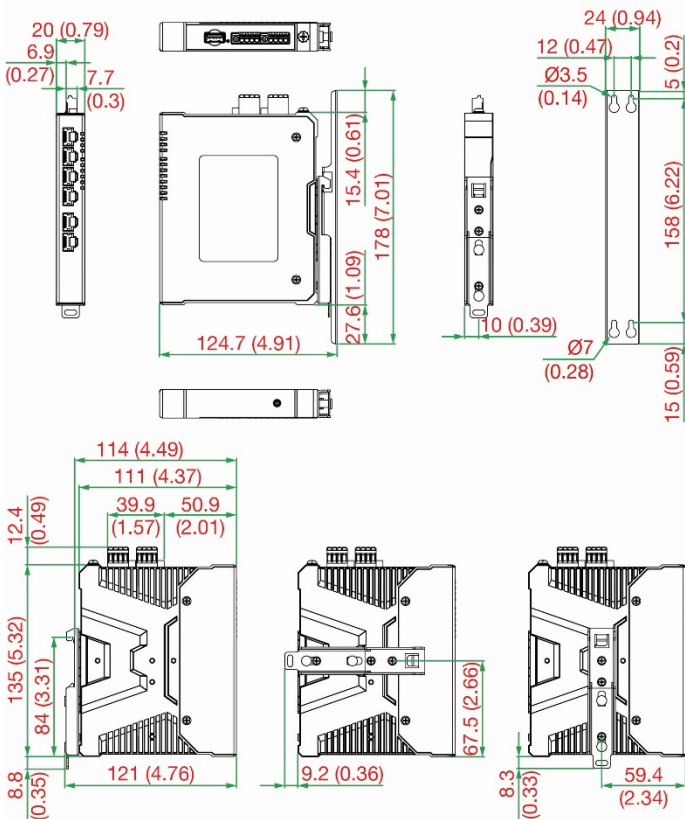


1. Rotary DIP switch for EtherNet/IP, PROFINET, Modbus/TCP, and DHCP Client configurations

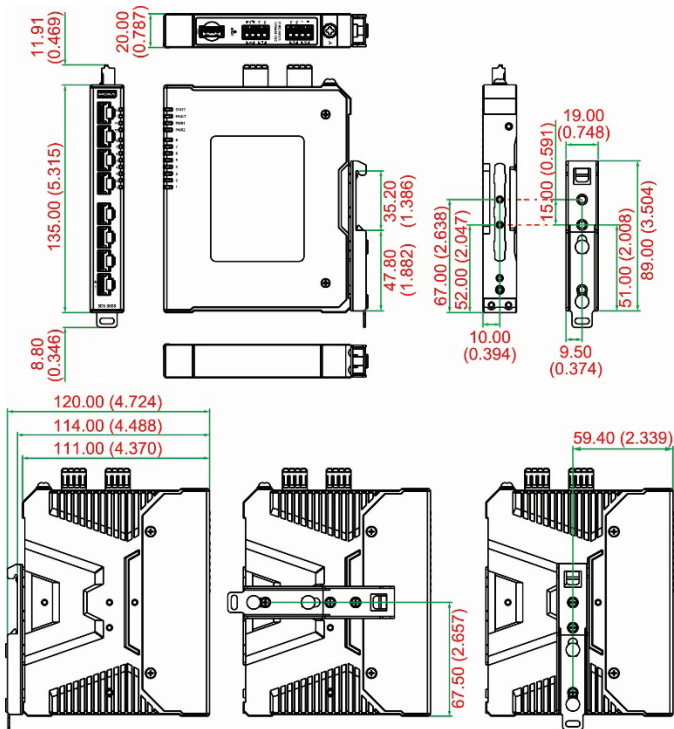
Mounting Dimensions

SDS-(G)3006/SDS-G3008 Models

Unit: mm (inch)

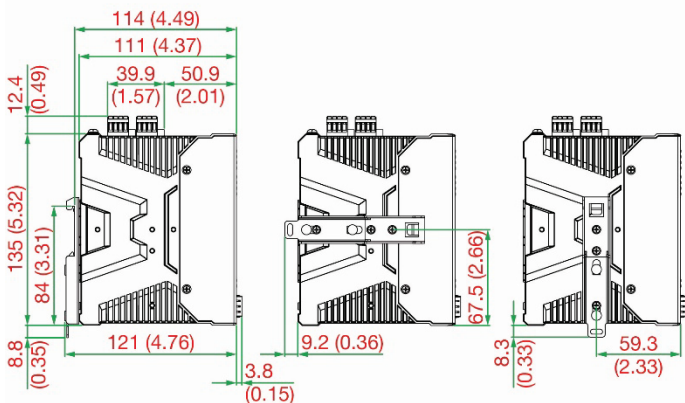
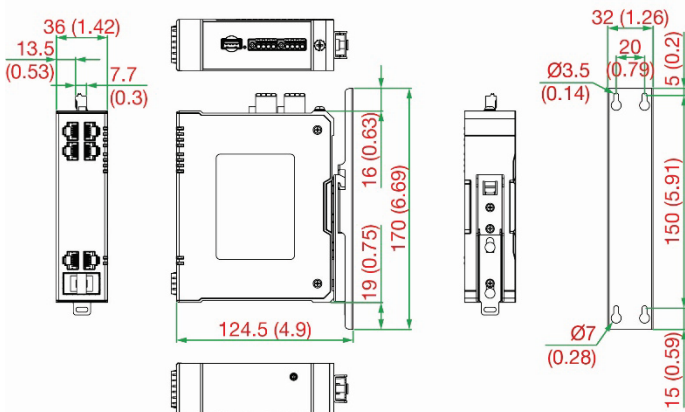


SDS-3008 Models



SDS-(G)3006-2GTXSFP Models

Unit: mm (inch)



DIN-rail Mounting

The SDS-(G)3000 Series supports two options for DIN-rail mounting.



ATTENTION

In order to ensure reliable operations, please make sure the operating temperature of the environment does not exceed the specification. When mounting the SDS-(G)3000 Series with other operating units in a cabinet without forced ventilation, a minimum spacing of 5 cm on both sides and above/below the switch is recommended.

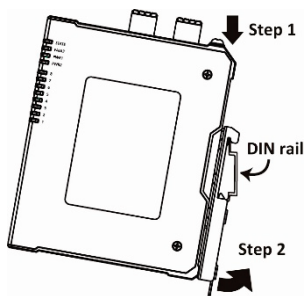
Option 1 (Default):

The DIN-rail mounting kit is fixed to the back panel of the SDS-(G)3000 Series by default when you take it out of the box. Mount the SDS-(G)3000 on a corrosion-free mounting rail that adheres to the EN 60715 standard.

Installation

STEP 1—Insert the DIN rail into the upper lip of the DIN-rail kit.

STEP 2—Press the SDS-(G)3000 towards the DIN rail until it snaps into place.

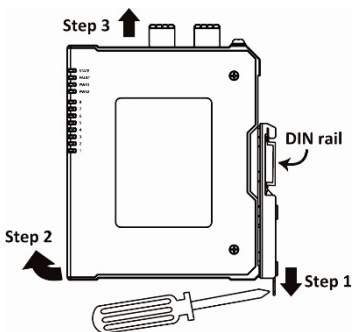


Removal

STEP 1—Pull down the latch on the DIN-rail mounting kit with a screwdriver.

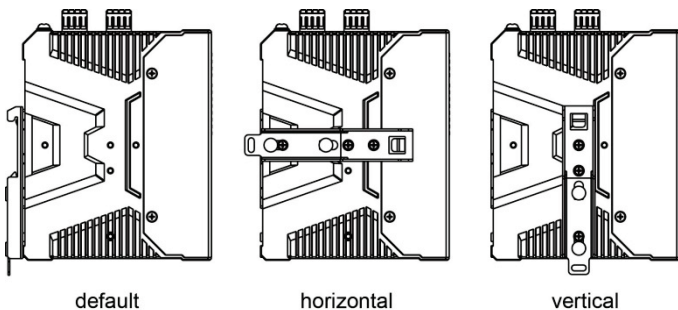
STEPS 2—Slightly pull the SDS-(G)3000 backwards.

STEPS 3—Lift the device up to remove it from the DIN rail.



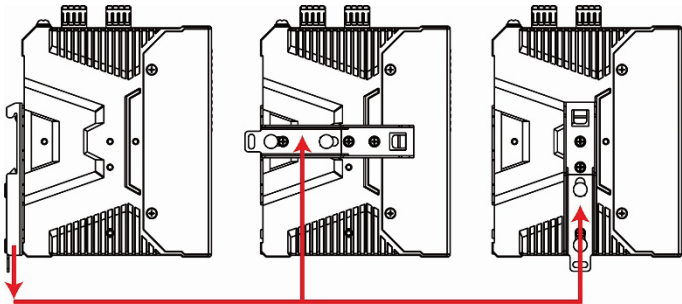
Option 2 (when side cabling is needed):

The metal DIN-rail mounting kit can be fixed to the side panel of the SDS-(G)3000 (horizontal or vertical). Mount the SDS-(G)3000 on a corrosion-free mounting rail that adheres to the EN 60715 standard.



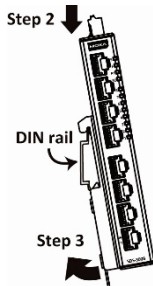
Installation

STEP 1—Detach the metal DIN-rail mounting kit from the back panel and attach it to the side panel in either the horizontal or vertical direction as indicated in the figure below.



STEP 2—Insert DIN-rail into the upper lip of the DIN-rail kit.

STEP 3—Press the SDS-(G)3000 towards the DIN rail until it snaps into place.

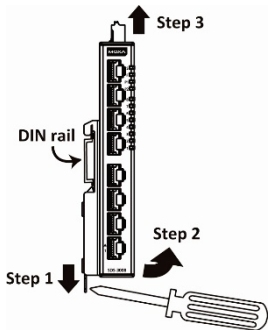


Removal

STEP 1—Pull down the latch on the DIN-rail mounting kit with a screwdriver.

STEPS 2—Slightly pull the SDS-(G)3000 backwards.

STEPS 3—Lift the device up to remove it from the DIN rail.



NOTE After removing the DIN-rail kit, make sure it is securely fastened when it is reattached. The screws used to fix the DIN-rail kit onto the SDS-(G)3000 should be securely fastened before mounting the device on the DIN rail.

Wall Mounting (Optional)

For some applications, it may be more convenient to mount the SDS-(G)3000 Series on a wall.

NOTE Mounting the SDS-(G)3000 Series onto a wall requires an optional accessory that must be purchased separately.



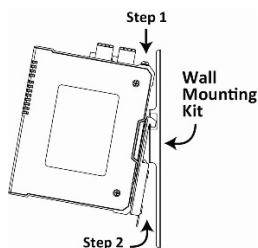
ATTENTION

In order to ensure reliable operations, please make sure the operating temperature of the environment does not exceed the specification. When mounting the SDS-(G)3000 Series with other operating units in a cabinet without forced ventilation, a minimum spacing of 5 cm on both sides and above/below the switch is recommended.

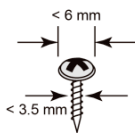
Installation

STEP 1—Attach the wall-mounting kit to the SDS-(G)3000 Series by inserting the upper lip of the DIN-rail kit into the upper hook of the wall-mounting kit.

STEP 2—Press the SDS-(G)3000 towards the wall-mounting kit until it snaps into place.



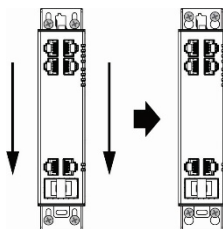
STEP 3—Mounting the SDS-(G)3000 Series on the wall requires 4 screws. Use the wall-mounting kit as a guide to mark the correct locations of the 4 screws. The heads of the screws should be less than 6.0 mm in diameter, and the shafts should be less than 3.5 mm in diameter, as shown in the figure on the right. The length of the screws should be at least 10 mm.



NOTE Before drilling the screws into the wall, make sure the screw head and shank size are suitable by inserting the screw through one of the keyhole-shaped apertures of the wall-mounting kit.

STEP 4—Partially drill the screws into the wall on the marked location, leaving 2 mm of space from the wall.

STEP 5—Insert the four screw heads through the large opening of the keyhole-shaped apertures of the mounting kit. Next, slide the SDS-(G)3000 Series downwards onto the screws. Tighten the screws for added stability.

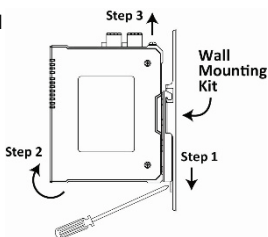


Removal

STEP 1—Pull down the latch on the DIN-rail mounting kit with a screwdriver.

STEP 2—Slightly pull the SDS-(G)3000 backwards.

STEP 3—Lift the device up to remove it from the wall-mounting kit.



Wiring Requirements



ATTENTION

Safety First!

Be sure to disconnect the power cord before installing and/or wiring your Moxa Industrial Smart Ethernet Switch. Calculate the maximum possible current in each power wire and common wire. Observe all electrical codes dictating the maximum current allowable for each wire size. If the current goes above the maximum ratings, the wiring could overheat, causing serious damage to your equipment.

Be sure to read and follow these important guidelines:

- Use separate paths to route wiring for power and devices. If power wiring and device wiring paths must cross, make sure the wires are perpendicular at the intersection point.

NOTE Do not run signal or communications wiring and power wiring through the same wire conduit. To avoid interference, wires with different signal characteristics should be routed separately.

- You can use the type of signal transmitted through a wire to determine which wires should be kept separate. The rule of thumb is that wiring that shares similar electrical characteristics can be bundled together.
- You should separate input wiring from output wiring.
- We advise that you label the wiring to all devices in the system.

Grounding the Industrial Smart Ethernet Switch

Grounding and wire routing help limit the effects of noise due to electromagnetic interference (EMI). Run the ground connection from the ground screw (chassis ground) to the grounding surface prior to connecting devices.



Functional Earth



ATTENTION

This product is intended to be mounted onto a well-grounded mounting surface, such as a metal panel.

Suggested Wire Type for Wiring Relay Contact (R), Digital Input (DI), and Power Inputs (P1/P2)

The switch includes two 4-pin 3.5 mm pin-pitch terminal blocks. When wiring the relay contact (R), digital input (DI) and power inputs (P1/P2) for the SDS-(G)3000 Series, we suggest using the cable type AWG (American Wire Gauge) 18 to 24 and the corresponding pin type cable terminals.



ATTENTION

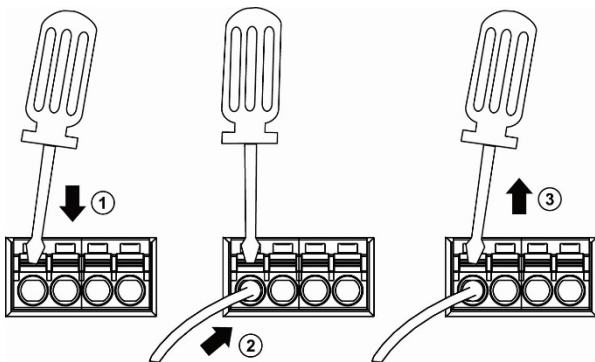
The wire must be able to withstand at least 105°C and the torque value should be 4.5 lb-in (0.51 N-m).

STEP 1—Use a small flathead screwdriver to press and hold down the push-in button next to the terminal input of the terminal block.

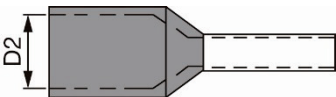
STEP 2—Insert the wire into the terminal input.

STEP 3—When fully inserted, release the push-in button to secure the wire.

Refer to the diagram below.



NOTE We suggest a pin-type cable with a length of 8 mm. Do not use a cable terminal that exceeds 2.6 mm in diameter (D2), otherwise the cable terminal cannot fit into the terminal input of the terminal block.



Wiring the Relay Contact

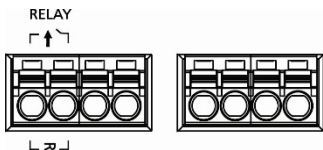
The SDS-(G)3000 Series has one set of relay outputs for identifying when a specific event has occurred (i.e. FAULT events, see below). This relay output uses the first two contacts out of the first 4-pin terminal on the SDS-(G)3000 Series' top panel.

Refer to the instructions and diagram below on how to connect the wires to the terminal block connector, and how to attach the terminal block connector to the terminal block receptor.

STEP 1—Insert two wires into the relay position (see the diagram below showing the top view) on the terminal.

STEP 2—To keep the relay wires from coming loose, use a small flathead screwdriver to press the button beside each terminal of the terminal block connector in order to insert the wire tightly. Release the screwdriver after the wire has been properly inserted.

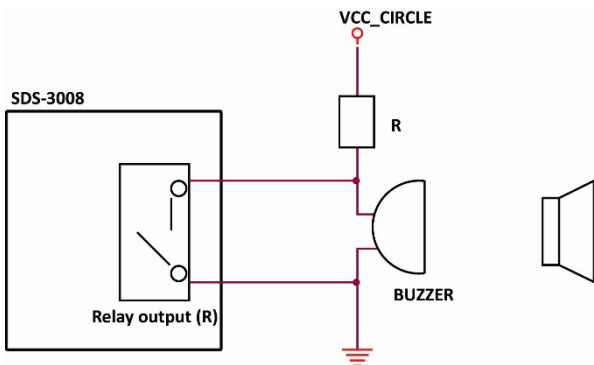
STEP 3—Insert the terminal block connector prongs into the terminal block receptor, which is located on the SDS-(G)3000 Series' top panel.



FAULT Events

The two contacts of the 4-pin terminal block connector are used to detect user-configured events. The two wires attached to the relay contacts will form an open circuit when a user-configured event is triggered, or when there is no power supply to the switch. If a user-configured event does not occur, the circuit remains closed as the relay itself is closed. Examples of user-configured events include port link-down and power input ON/OFF.

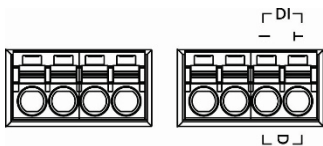
NOTE To indicate a fault has occurred one can integrate the relay contact on the smart switch with an external alarming system circuit so that the status of user-configured events or no power supply can be monitored. An example is given in the diagram below where the buzzer will sound when user-configured events happen.



Wiring the Digital Input

The SDS-(G)3000 Series has one set of digital inputs (DI). The DI consists of two contacts of the second 4-pin terminal block on the SDS-(G)3000 Series' top panel.

Refer to the instructions and diagram (top view) below on how to connect the wires to the terminal block connector, and how to attach the terminal block connector to the terminal block receptor.



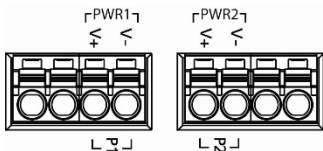
STEP 1: Insert the negative (ground)/positive DI wires into the respective \pm /I terminals.

STEP 2: To prevent the DI wires from coming loose, use a small flathead screwdriver to press the button beside each terminal of the terminal block connector in order to insert the wire tightly. Release the screwdriver after the wire has been properly inserted.

STEP 3: Insert the terminal block connector prongs into the terminal block receptor, which is located on the SDS-(G)3000 Series' top panel.

Wiring the Redundant Power Inputs (12/24/48 VDC)

The SDS-(G)3000 has two sets of power inputs—power input 1 (PWR 1/P1) and power input 2 (PWR 2/P2). The top view of the terminal block connector and the positions of the power inputs are shown below.



Take the following steps to wire the redundant power inputs:

STEP 1: Insert the positive/negative DC wires into the V1+/V1- terminals respectively for PWR 1 and/or V2+/V2- terminals respectively for PWR 2.

STEP 2: To prevent the DC wires from coming loose, use a small flathead screwdriver to press the button beside each terminal of the terminal block connector in order to insert the wire tightly. Release the screwdriver after the wire has been properly inserted.

STEP 3: Insert the terminal block connector prongs into the terminal block receptor, which is located on the top panel of the SDS-(G)3000.



ATTENTION

Before connecting the SDS-(G)3000 Series to the DC power inputs, ensure the DC power supply voltage is stable and of a correct level and polarity.



ATTENTION

Only use a certified power supply with SELV output or a certified power supply that provides double insulation in accordance with one of the following standards:

- UL 60950-1
- UL 62368-1
- UL 61010-1 and UL 61010-2-201

The assembler of the system is responsible for the safety of the system incorporating the SDS-3000/G3000 Series. If the switch is used incorrectly or outside of its intended use, the switch may be impaired or damaged.

Communication Connections

Each SDS-(G)3000 Series smart Ethernet switch has several types of communication ports:

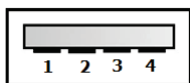
- USB storage port (type A connector)
- 10/100BaseT(X) Ethernet ports
- 10/100/1000BaseT(X) Ethernet ports
- 100/1000BaseSFP ports
- 10/100/1000BaseT(X) or 100/1000BaseSFP combo ports

USB Storage Connection

NOTE The USB port is reserved for use with the Moxa ABC-02-USB tool. This port cannot be used for charging any devices.

The SDS-(G)3000 Series has one USB storage port (type A connector; see the diagram below for pinout assignments) on the top panel. Use Moxa's ABC-02-USB automatic backup configurator to connect to the SDS-(G)3000 Series' USB storage port for configuration backup, firmware upgrades, or system log file backup.

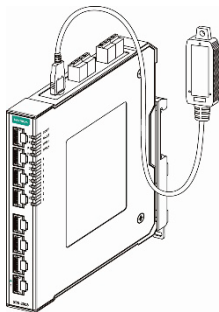
USB Storage Port (Type A Connector) Pinouts



Pin	Description
1	VCC (+5V)
2	D- (Data -)
3	D+ (Data+)
4	GND (Ground)

NOTE ABC-02-USB Installation

Plug the ABC-02-USB into the USB storage port of the SDS-(G)3000 Series. We suggest securing the ABC-02-USB on the wall with an M4 screw.



10/100BaseT(X) Ethernet Port Connections

The 10/100BaseT(X) ports located on the front panel of the switch are used to connect to Ethernet-enabled devices. Most users configure these ports for Auto MDI/MDI-X mode, in which case the port's pinouts are adjusted automatically depending on the type of Ethernet cable wiring (straight-through or cross-over), and the type of device (NIC-type or HUB/Switch-type) connected to the port.

Refer to the pinouts for both MDI (NIC-type) ports and MDI-X (HUB/Switch-type) ports, and cable wiring diagrams for straight-through and cross-over Ethernet cables below.

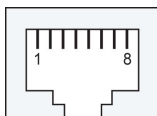
MDI Port Pinouts

Pin	Signal
1	Tx+
2	Tx-
3	Rx+
6	Rx-

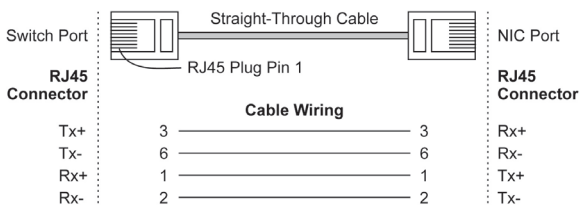
MDI-X Port Pinouts

Pin	Signal
1	Rx+
2	Rx-
3	Tx+
6	Tx-

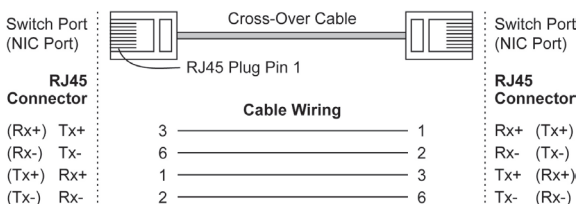
8-pin RJ45



RJ45 (8-pin) to RJ45 (8-pin) Straight-through Cable Wiring



RJ45 (8-pin) to RJ45 (8-pin) Cross-over Cable Wiring



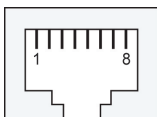
10/100/1000BaseT(X) Ethernet Port Connections

1000BaseT(X) data is transmitted on differential TRD+/- signal pairs over copper wires.

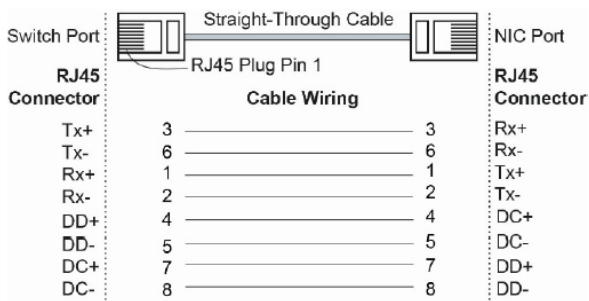
MDI Port Pinouts

Pin	Signal
1	TRD(0)+
2	TRD(0)-
3	TRD(1)+
4	TRD(2)+
5	TRD(2)-
6	TRD(1)-
7	TRD(3)+
8	TRD(3)-

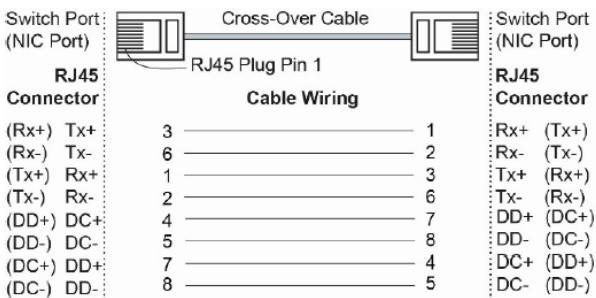
8-pin RJ45



RJ45 (8-pin) to RJ45 (8-pin) Straight-through Cable Wiring



RJ45 (8-pin) to RJ45 (8-pin) Cross-over Cable Wiring



100/1000BaseSFP Port Connections

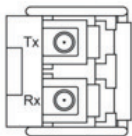
The fiber ports on the switch are 100/1000BaseSFP fiber ports, which require using 100M or 1G mini-GBIC fiber transceivers to work properly. Moxa provides a complete selection of transceiver models for different distance requirements.

The concept behind the LC port and cable is straightforward. Suppose you are connecting devices A and B; contrary to electrical signals, optical signals do not require a circuit in order to transmit data.

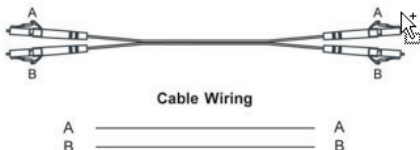
Consequently, one of the optical lines is used to transmit data from device A to device B, and the other optical line is used transmit data from device B to device A, for full-duplex transmission.

Remember to connect the Tx (transmit) port of device A to the Rx (receive) port of device B, and the Rx (receive) port of device A to the Tx (transmit) port of device B. If you make your own cable, we suggest labeling the two sides of the same line with the same letter (A-to-A and B-to-B, as shown below, or A1-to-A2 and B1-to-B2).

LC Port Pinouts



LC port-to-LC port Cable Wiring



ATTENTION

Use SFP modules that comply with IEC 60825-1, 21 CFR 1040 Section 1040.10 and 1040.11, and are classified as Class 1 Laser products. To avoid causing serious damage to your eyes, do not stare directly into the laser beam.

Rotary DIP Switch

NOTE The SDS-3008 Series does not support this feature.

The rotary DIP switch located on the bottom panel of the SDS-(G)3000 Series allows users to enable industrial protocols and DHCP client functionality in a matter of seconds without having to use the web interface.

The rotary DIP switch has ten options that can be selected by adjusting the switch. The default setting 0 represents no DIP switch function is enabled and follows the configuration in the web interface. Options 1 to 6 are used for the PROFINET, EtherNet/IP profile, Modbus, and DHCP client functions. Options 7 to 9 are reserved for future use.



Reboot the device after changing the rotary DIP switch setting for the change for the selected function to take effect. When any of these functions is enabled through the rotary DIP switch, that function cannot be changed through the web interface. Please make sure that the arrow is pointing at 0, 7, 8, or 9 before using the web interface to change relevant configurations.

NOTE Use a 2.0 mm flathead screwdriver to rotate the DIP switch.

Rotary DIP Switch Settings for IA Profiles

Indicator	Mode
0	No function enabled via DIP switch (default)
1	PROFINET profile enabled
2	PROFINET profile and DHCP Client enabled
3	EtherNet/IP profile enabled
4	EtherNet/IP profile and DHCP Client enabled
5	Modbus TCP profile enabled
6	Modbus TCP profile and DHCP client enabled
7-9	Reserved (currently performs the same behavior as indicator 0)

Reset Button

The reset button can perform two functions. One is to reset the industrial smart Ethernet switch back to factory default settings and the other is to perform a quick backup of configuration and log files to the ABC-02-USB automatic backup configurator.

Reset to Factory Default Settings

Use a pointed object, such as a straightened paper clip, to depress and hold the reset button for 5 seconds. This will cause the state LED to blink once a second. After depressing the button for 5 seconds, the state LED will start to blink rapidly. This indicates that factory default settings have been loaded and executed, and that you can release the reset button.

NOTE Do NOT power off your Moxa industrial smart Ethernet switch when the default settings are loading.

Configuration and Log Files Backup

The reset button is used to perform quick configuration and event log backups to the Moxa ABC-02-USB. With the ABC-02-USB device connected to the switch, press the reset button on top of the SDS-(G)3000 Series to start backing up the current system configuration files and event logs to the ABC-02-USB.

NOTE When the ABC-02 is plugged in, you cannot reset the device to factory default settings by pressing the reset button.

LED Indicators

LED	Color	Status	Description
Per Device LED			
STATE	Green	On	When the system has passed the power on self-test (POST) and is ready to run.
		Blinking	1. The system detects that the ABC-02-USB is plugged in.

LED	Color	Status	Description
			2. When the reset button is pressed for 5 seconds to reset to factory default settings.
	Red	On	The system failed self-diagnosis on boot-up: Failed to read system information or EEPROM information error.
FAULT	Red	On	1. The relay contact has been triggered. 2. Invalid port connection. 3. Failed to load from or save to the ABC-02.
		Blinking	1. RAM test failed. 2. Firmware checksum failed. 3. Decompression failed.
PWR1	Amber	On	Power is being supplied to the PWR1 input.
		Off	No power is being supplied to the PWR1 input.
PWR2	Amber	On	Power is being supplied to the PWR2 input.
		Off	No power is being supplied to the PWR2 input.
STATE +FAULT	STATE: Green FAULT: Red	Blinking (rotating sequentially)	The ABC-02-USB is importing/exporting files.
		Blinking	The switch is being discovered/located by the Switch Locator in the web GUI, by MXview, or by MXview One.
Per 10/100 Mbps Copper Port LED			
100M	Green	On	When the port is active and links at 100 Mbps.
		Blinking	When the port's data is being transmitted at 100 Mbps.
		Off	When the port is inactive or link down.
10M	Amber	On	When the port is active and links at 10 Mbps.
		Blinking	When the port's data is being transmitted at 10 Mbps.
		Off	When the port is inactive or link down.
Per 10/100/1000 Mbps Copper Port LED			
1000M	Green	On	When the port is active and links at 1000 Mbps.
		Blinking	When the port's data is being transmitted at 1000 Mbps.
		Off	When the port is inactive or link down.
10/100	Amber	On	When the port is active and links at 10/100 Mbps.

LED	Color	Status	Description
		Blinking	When the port's data is being transmitted at 10/100 Mbps.
		Off	When the port is inactive or link down.
Per 100/1000 Mbps SFP Port LED			
1000M	Green	On	When the port is active and links at 1000 Mbps.
		Blinking	When the port's data is being transmitted at 1000 Mbps.
		Off	When the port is inactive or link down.
100M	Amber	On	When the port is active and links at 100 Mbps.
		Blinking	When the port's data is being transmitted at 100 Mbps.
		Off	When the port is inactive or link down.

Specifications

Technology	
Standards	IEEE 802.3 for 10BaseT IEEE 802.3u for 100BaseT(X) IEEE 802.3ab for 1000BaseT(X) IEEE 802.3z for 1000BaseX IEEE 802.3x for Flow Control IEEE 802.1D-2004 for Spanning Tree Protocol IEEE 802.1w for Rapid STP IEEE 802.1Q for VLAN Tagging
Software Features	
Management	IPv4/IPv6, SNMP v1/v2c/v3, LLDP, Port Mirror, DHCP Client, Syslog, SNMP Inform, Flow Control, Back Pressure Flow Control
Filter	IEEE 802.1Q VLAN
Redundancy Protocols	STP, RSTP, MRP
Security	Broadcast Storm Protection, Port Lock, SNMPv3, HTTPS
Time Management	SNTP/NTP Server/Client
Industrial Protocols	EtherNet/IP, PROFINET IO, Modbus/TCP
MIB	RFC1213 MIB, Ether-Like MIB, IF MIB, LLDP-MIB, BRIDGE MIB, Q-BRIDGE MIB
Switch Properties	
Max. Number of VLANs	8
VLAN ID Range	VID 1 to 4094
MAC Table Size	8 K
Packet Buffer Size	3 Mbit
Interface	
RJ45 Ports	Model-dependent: 10/100BaseT(X) auto-negotiation speed 10/100/1000BaseT(X) auto-negotiation speed
Fiber Ports	-2GTXSFP models only: 100/1000BaseSFP

Storage Port	USB storage (Type A connector for ABC-02-USB)
Alarm Contact (Relay Output)	1 normally open solid-state relay output with current carrying capacity of 1 A @ 24 VDC
Digital Input	1 input with the same ground, but electrically isolated from the electronics. <ul style="list-style-type: none"> • +13 to +30 V for state "1" • -30 to +3 V for state "0" • Max. input current: 8 mA
Button	Reset button
Power Requirements	
Input Voltage	12 to 48 VDC, redundant dual inputs
Operating Voltage	9.6 to 60 VDC
Input Current	SDS-3008 models: 0.55 A (max.) SDS-(G)3006/G3008 models: 0.76 A (max.) SDS-(G)3006-2GTXSFP models: 0.98 A (max.)
Overload Current Protection	Supported
Connection	2 removable 4-contact terminal blocks
Reverse Polarity Protection	Supported
Physical Characteristics	
Housing	Metal
IP Rating	IP40
Dimension (W x H x D)	SDS-(G)3006/(G)3008 models: 20 x 135 x 111 mm (0.79 x 5.32 x 4.37 in) SDS-(G)3006-2GTXSFP models: 36 x 135 x 111 mm (1.42 x 5.32 x 4.37 in)
Weight	SDS-(G)3006 models: 383 g (0.84 lbs) SDS-3008 models: 438 g (0.97 lbs) SDS-G3008 models: 427 g (0.94 lbs) SDS-(G)3006-2GTXSFP models: 718 g (1.58 lbs)
Installation	DIN-rail mounting, wall mounting (with optional kit)
Environmental Limits	
Operating Temperature	Standard models: -10 to 60°C (14 to 140°F) Wide temp. models: -40 to 75°C (-40 to 167°F)
Storage Temperature	-40 to 85°C (-40 to 185°F)
Ambient Relative Humidity	5% to 95% (non-condensing)
Altitude	Up to 2000m Note: Please contact Moxa if you require products guaranteed to function properly at higher altitudes.
Note	The SDS-300/G3000 Series shall only be used in indoor areas of at least pollution degree 2. When cleaning the device, the equipment must be wiped with a dry cloth.
Standards and Certifications	
Safety	UL 61010-2-201, EN 60950-1 (LVD), EN IEC 62368-1

EMC	EN 61000-6-2/6-4
EMI	CISPR 22, FCC Part 15B Class A
EMS	IEC 61000-4-2 ESD: Level 3 IEC 61000-4-3 RS: Level 3 IEC 61000-4-4 EFT: Level 3 IEC 61000-4-5 Surge: Level 3 IEC 61000-4-6 CS: Level 3 IEC 61000-4-8 PFMF: Level 3
Shock	IEC 60068-2-27
Freefall	IEC 60068-2-32
Vibration	IEC 60068-2-6
Warranty	
Warranty Period	5-years
Details	See www.moxa.com/warranty



ATTENTION

This device complies with Part 15 of the FCC rules.

Operation is subject to the following conditions:

1. This device may not cause harmful interference.
2. This device must accept any interference received including interference that may cause undesired operation.



WARNING: HOT SURFACE

External metal parts of this equipment are hot!!

Before touching the equipment, you must take special precautions to protect your hands and body from serious injury.



WARNING

為避免電磁干擾，本產品不應安裝或使用於住宅環境。



WARNING

이 기기는 업무용 환경에서 사용할 목적으로 적합성평가를 받은 기기로서 가정용 환경에서 사용하는 경우 전파간섭의 우려가 있습니다.