

1

2

3

4

5

6

7

8

A

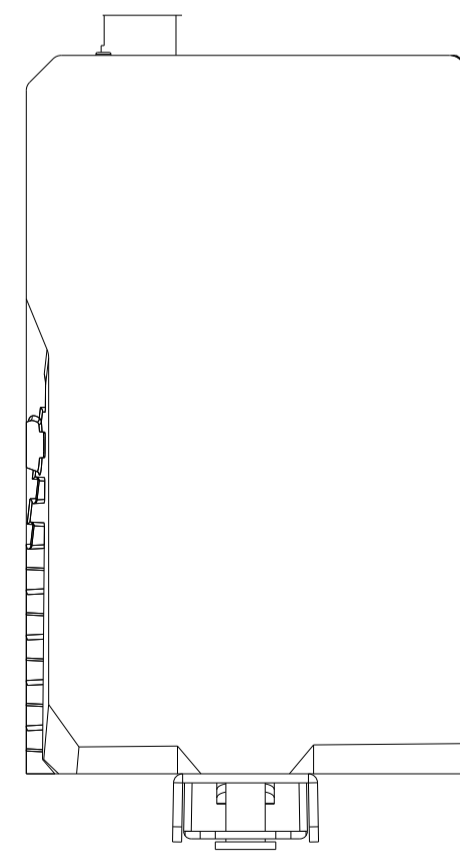
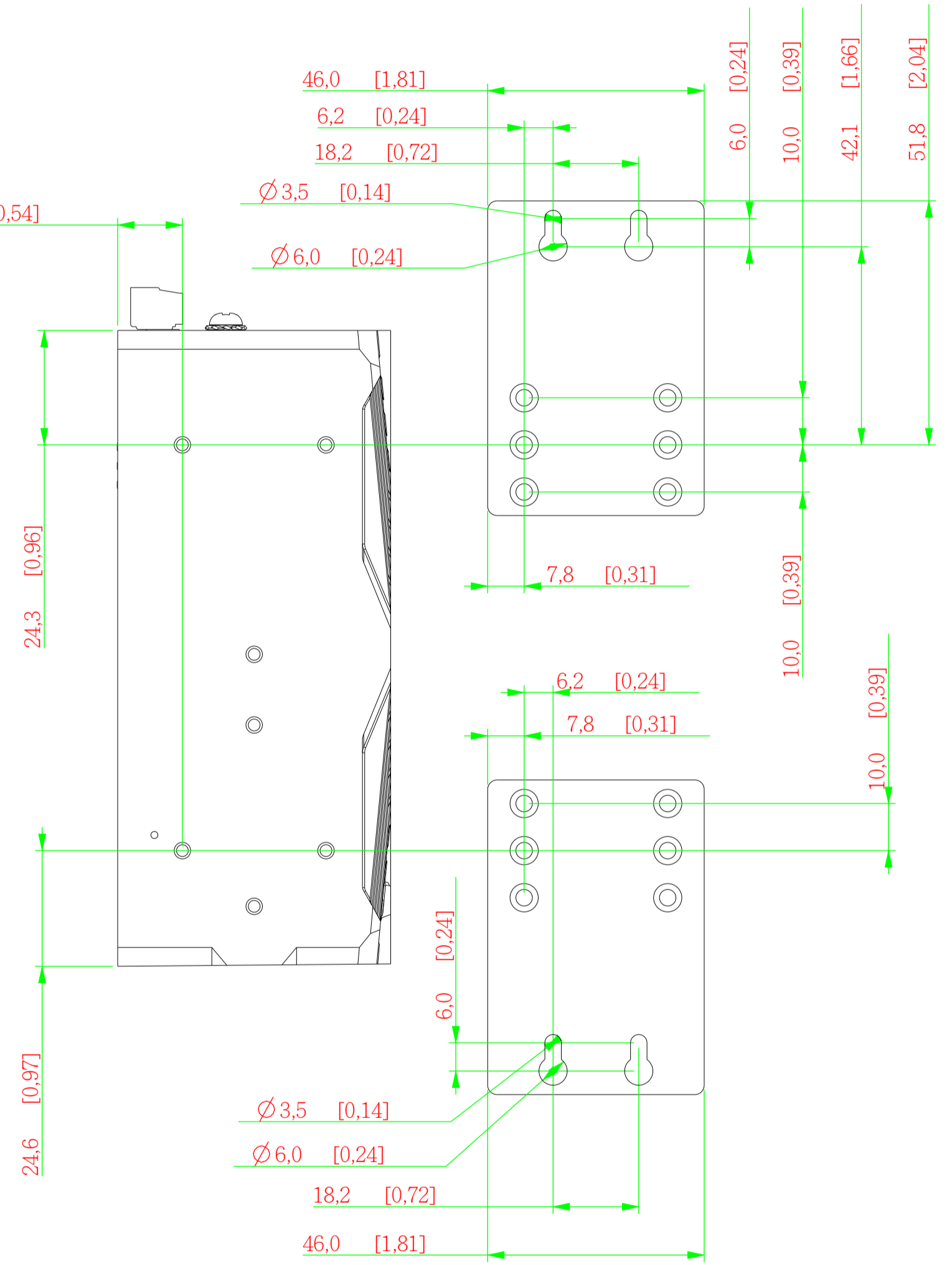
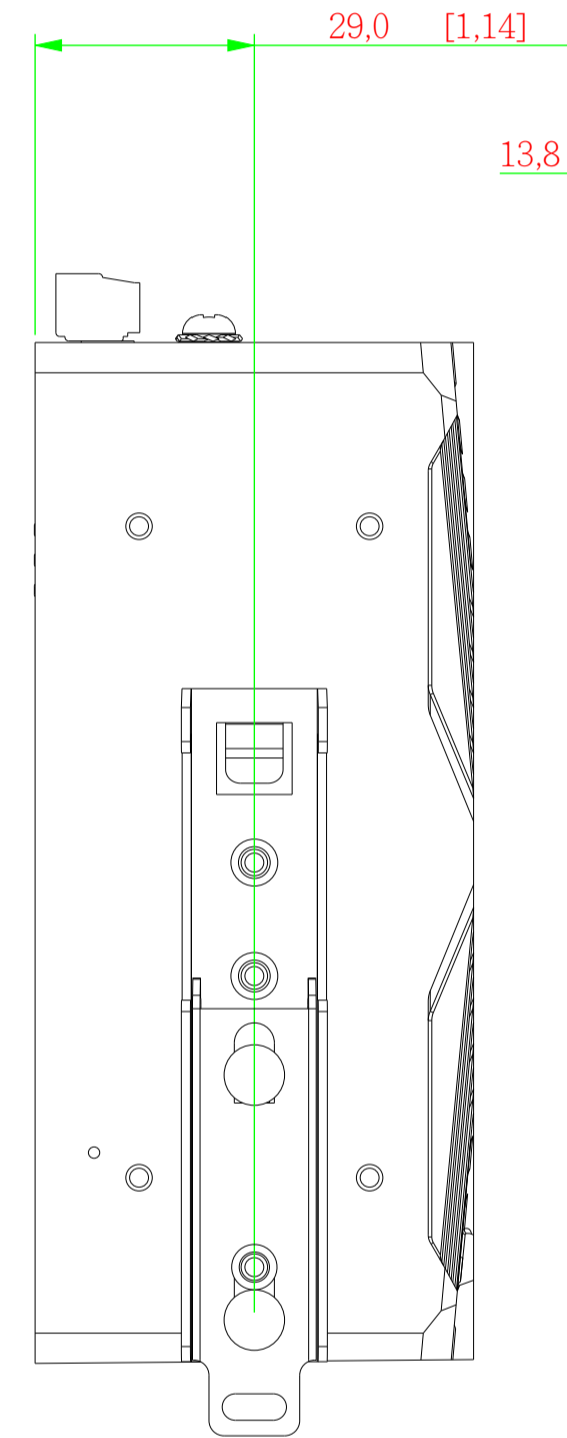
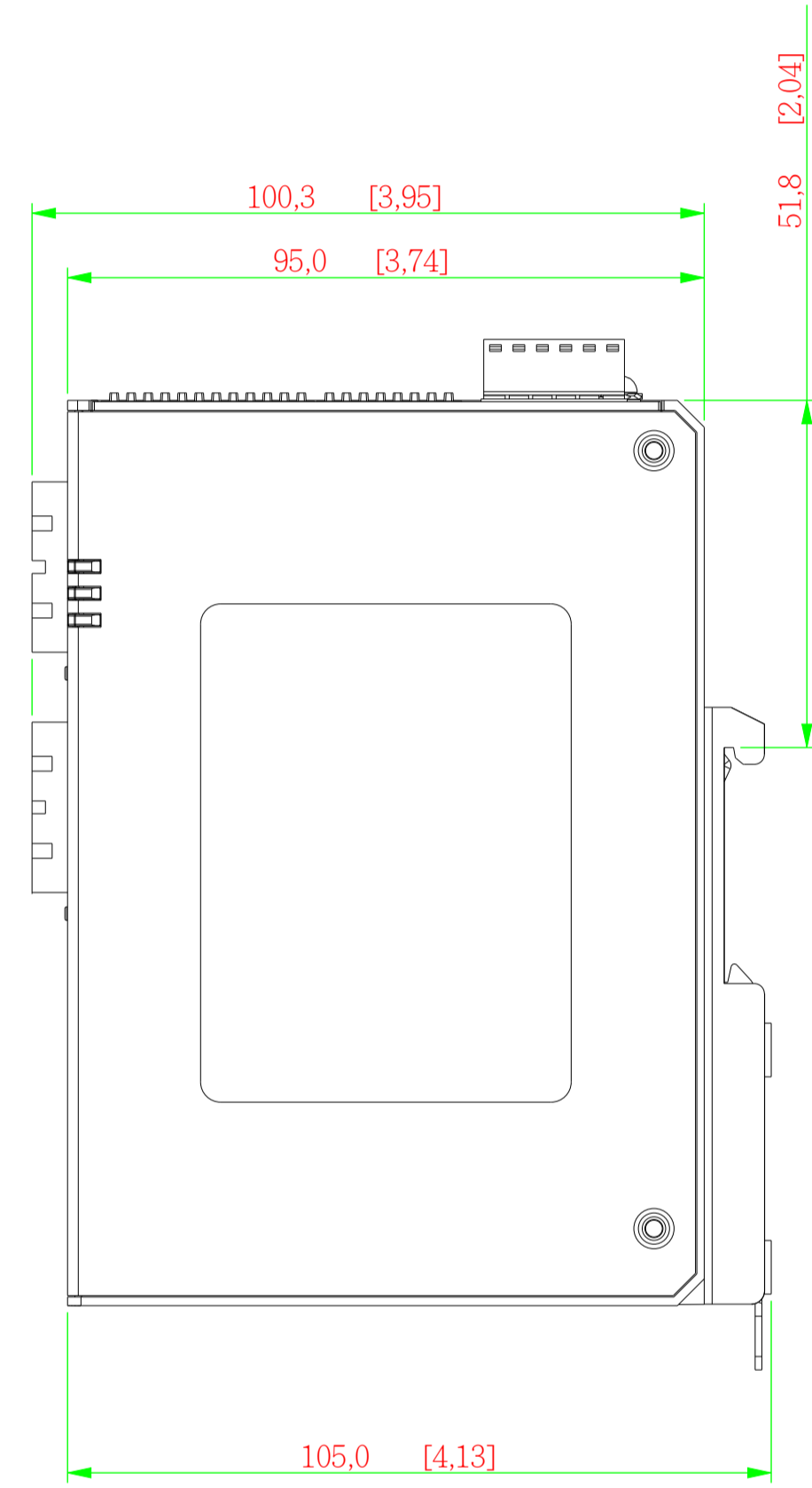
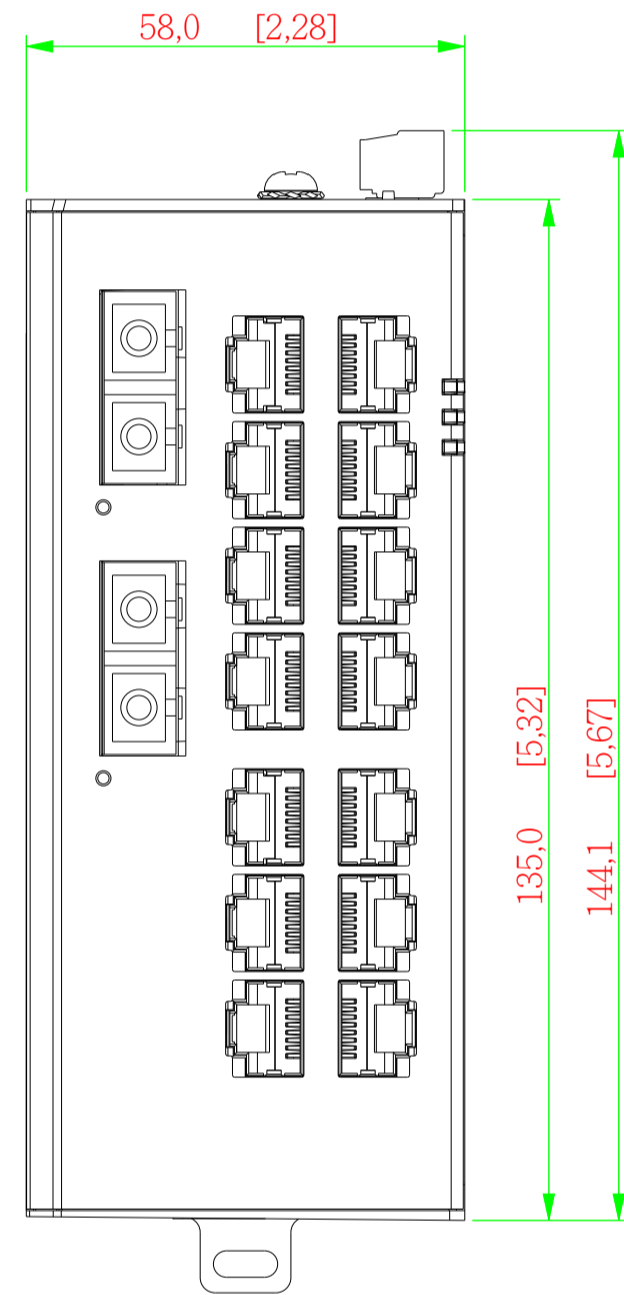
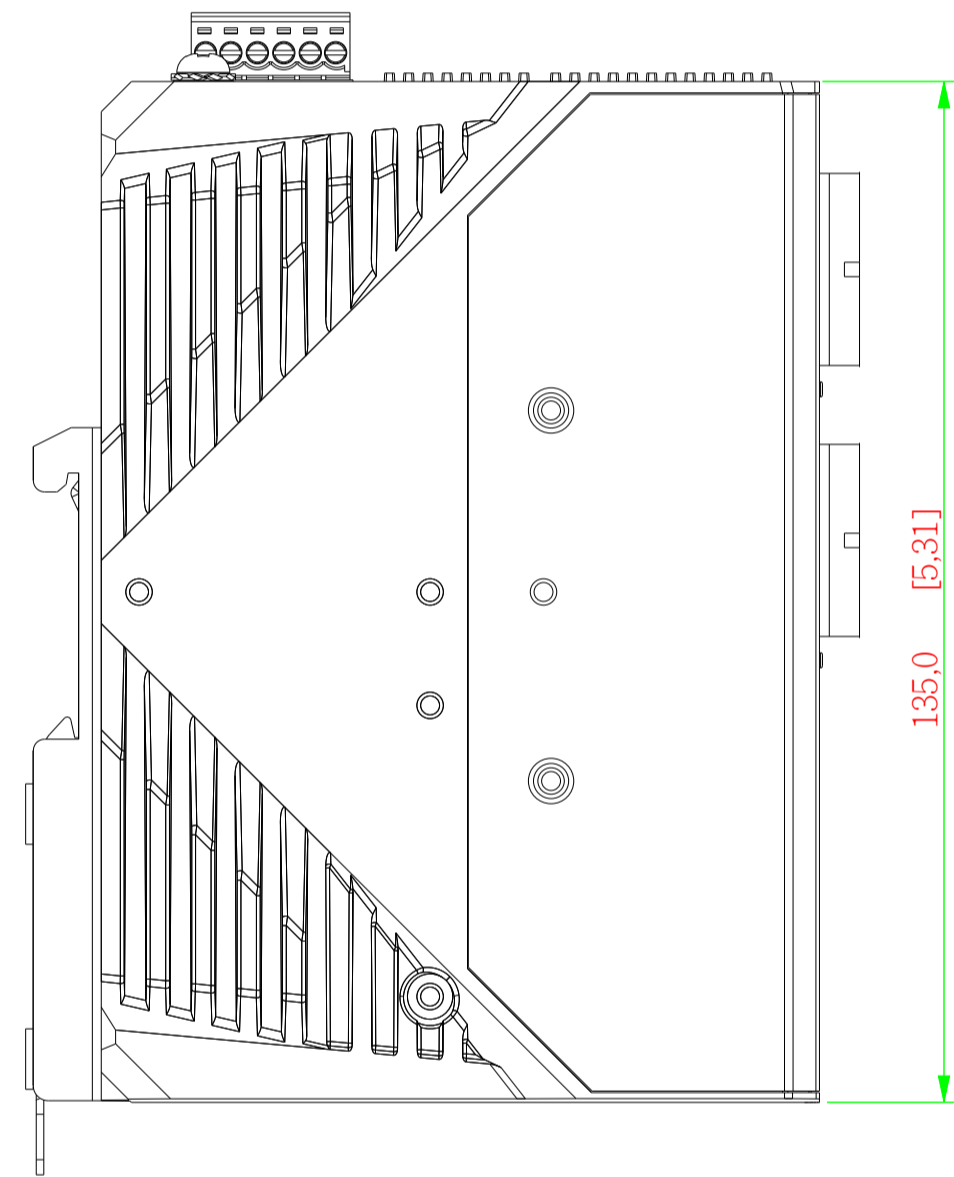
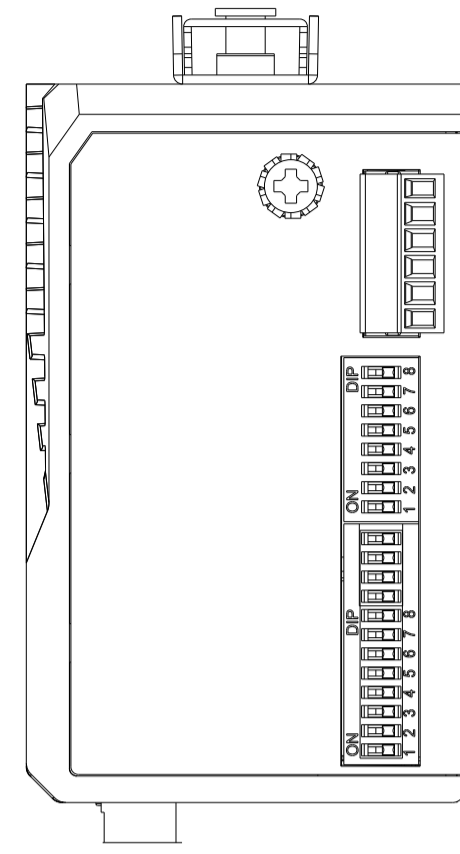
B

C

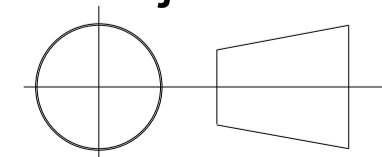
D

E

F



**MOXA**<sup>®</sup>  
 Tel:+886-2-89191230  
 Fax:+886-2-89191231  
 www.moxa.com

Projection  
  
 3rd Angle

Unit	mm/inch
Scale	1,000
Note	

Product Model	EDS-2016-ML-MM/SS-SC
Drawn Name	2D_DIM_EDS_2016_ML_SC_PZ