

# EDS-G4008シリーズ

8Gポートフルギガビットマネージド・イーサネット・スイッチ



## 機能とメリット

- IEC 62443-4-1に従って開発され、IEC 62443-4-2産業サイバーセキュリティ標準に準拠
- Turbo RingおよびTurbo Chain（リカバリ時間はスイッチ250台で50ミリ秒未満）をサポートし、RSTP/STPでネットワーク冗長性を実現
- 柔軟な導入を可能にする幅広い電源入力オプション
- 狭いスペースにも収まるコンパクトで柔軟な筐体設計
- 簡単に視覚化された産業用ネットワーク管理を行うためのMXstudioに対応

## 認証



## 製品紹介

EDS-G4008は8つのギガビットイーサネットポートを装備しているため、既存のネットワークをギガビット速度にアップグレードしたり、新しいフルギガビットバックボーンを構築したりするのに最適です。ギガビット伝送速度は、帯域幅を増やしてパフォーマンスを向上させ、大容量のトリプルプレイサービスをネットワーク全体に迅速に転送できます。

Turbo Ring、Turbo Chain、RSTP/STPなどのイーサネット冗長性技術により、システムの信頼性が高まり、ネットワークバックボーンの可用性が向上します。EDS-G4008シリーズは、スケーラブルなバックボーンからメリットを得られる、ビデオおよびプロセス監視、ITS、DCSシステムなどの要求の多いアプリケーション向けに特別に設計されています。

EDS-G4008シリーズは、製品セキュリティと安全な開発ライフサイクル要件の両方をカバーするIEC 62443-4-2およびIEC 62443-4-1産業サイバーセキュリティ認証に準拠しており、お客様が安全な産業ネットワーク設計のコンプライアンス要件を満たすのに役立ちます。

## 仕様

### Ethernet Interface

10/100/1000BaseT(X) Ports (RJ45 connector)	8 Auto MDI/MDI-X connection Auto negotiation speed Full/Half duplex mode
Standards	IEEE 802.3 for 10BaseT IEEE 802.3u for 100BaseT(X) IEEE 802.3ab for 1000BaseT(X) IEEE 802.3x for flow control IEEE 802.3ad for Port Trunk with LACP IEEE 802.1Q for VLAN Tagging IEEE 802.1D-2004 for Spanning Tree Protocol IEEE 802.1w for Rapid Spanning Tree Protocol IEEE 802.1p for Class of Service IEEE 802.1X for authentication

### Ethernet Software Features

Industrial Protocols	EtherNet/IP Modbus TCP PROFINET IO Device
Management	IPv4/IPv6 Flow control Back Pressure Flow Control DHCP Server/Client ARP

	<ul style="list-style-type: none"> <li>RARP</li> <li>LLDP</li> <li>Port Mirroring (SPAN, RSPAN)</li> <li>Linkup Delay</li> <li>SMTP</li> <li>SNMP Trap</li> <li>SNMP Inform</li> <li>SNMPv1/v2c/v3</li> <li>RMON</li> <li>TFTP</li> <li>SFTP</li> <li>HTTP</li> <li>HTTPS</li> <li>Telnet</li> <li>Syslog</li> <li>Private MIB</li> <li>Fiber check</li> </ul>
Filter	<ul style="list-style-type: none"> <li>GMRP</li> <li>GVRP</li> <li>GARP</li> <li>802.1Q VLAN</li> <li>IGMP Snooping v1/v2/v3</li> <li>IGMP Querier</li> </ul>
Redundancy Protocols	<ul style="list-style-type: none"> <li>STP</li> <li>RSTP</li> <li>Turbo Ring v2</li> <li>Turbo Chain</li> <li>Ring Coupling</li> <li>Dual-Homing</li> <li>Link Aggregation</li> <li>MRP</li> <li>MSTP</li> </ul>
Security	<ul style="list-style-type: none"> <li>Broadcast storm protection</li> <li>Rate Limit</li> <li>Trust access control</li> <li>Static Port Lock</li> <li>MAC Sticky</li> <li>HTTPS/SSL</li> <li>SSH</li> <li>RADIUS</li> <li>TACACS+</li> <li>Access control list</li> <li>Login and Password Policy</li> <li>DHCP Snooping</li> </ul>
Time Management	<ul style="list-style-type: none"> <li>SNTP</li> <li>NTP Server/Client</li> <li>NTP Authentication</li> <li>IEEE 1588v2 PTP (hardware-based)</li> <li>Supported power profiles: IEEE 1588 Default 2008, IEC 61850-9-3-2016, IEEE C37.238-2017</li> </ul>

Protocols	IPv4/IPv6 TCP/IP UDP ICMP ARP RARP TFTP DNS NTP Client DHCP Server DHCP Client 802.1X QoS HTTPS HTTP Telnet SMTP SNMPv1/v2c/v3 RMON Syslog
MIB	P-BRIDGE MIB Q-BRIDGE MIB IEEE8021-SPANNING-TREE-MIB IEEE8021-PAE-MIB IEEE8023-LAG-MIB LLDP-EXT-DOT1-MIB LLDP-EXT-DOT3-MIB SNMPv2-MIB RMON MIB Groups 1, 2, 3, 9

### Switch Properties

MAC Table Size	16 K
Jumbo Frame Size	9.216 KB
Max. No. of VLANs	256
VLAN ID Range	VID 1 to 4094
IGMP Groups	512
Priority Queues	4
Packet Buffer Size	1 MB

### LED Interface

LED Indicators	PWR1, PWR2, STATE, FAULT, MSTR/HEAD, CPLR/TAIL, SYNC
----------------	--

### Serial Interface

Console Port	RS-232 (TxD, RxD, GND), 8-pin RJ45 (115200, n, 8, 1)
--------------	--

### USB Interface

USB Connector	USB Type A (Reserved)
---------------	-----------------------

### Input/Output Interface

Alarm Contact Channels	1, Relay output with current carrying capacity of 1 A @ 24 VDC
Digital Input Channels	1
Digital Inputs	+13 to +30 V for state 1 -30 to +3 V for state 0 Max. input current: 8 mA
Buttons	Reset button

## DIP Switch Configuration

DIP Switches	Turbo Ring, Master, Coupler, Reserve
--------------	--------------------------------------

## Power Parameters

Connection	2 removable 4-contact terminal block(s)
Pre-installed Power Module	-LV/-LV-T models: PWR-100-LV -HV/-HV-T models: PWR-105-HV-I
Note	<p>The EDS-G4008 Series supports modular power supplies. The model names and power parameters are determined by the installed power module.</p> <p>For example: EDS-G4008-T + PWR-100-LV = EDS-G4008-LV-T EDS-G4008-T + PWR-105-HV-I = EDS-G4008-HV-T</p> <p>If you install a different power module, refer to the specifications of the corresponding model. For example, if you replace the power module of the EDS-G4008-LV-T with the PWR-105-HV-I, refer to the specifications of the EDS-G4008-HV-T.</p>
Input Voltage	-LV/-LV-T models: 12/24/48 VDC, Redundant dual inputs -HV/-HV-T models: 110/220 VDC/VAC, Single input
Operating Voltage	-LV/-LV-T models: 9.6 to 60 VDC -HV/-HV-T models: 88 to 300 VDC, 85 to 264 VAC
Input Current	-LV/-LV-T models: 12-48 VDC, 1.50-0.40 A or 24 VDC, 0.70 A -HV/-HV-T models: 110-220 VAC, 50-60 Hz, 0.30-0.20 A or 110-220 VDC, 0.30-0.20 A
Overload Current Protection	Supported
Reverse Polarity Protection	Supported
Power Consumption (Max.)	EDS-G4008-LV(-T) models: 8.84 W EDS-G4008-HV(-T) models: 10.73 W

## Physical Characteristics

IP Rating	IP40
Dimensions	55 x 140 x 120 mm (2.17 x 5.51 x 4.72 in)
Weight	859.5 g (1.89 lb)
Installation	DIN-rail mounting Wall mounting (with optional kit)
Housing	Metal

## Environmental Limits

Operating Temperature	Standard models: -10 to 60°C (14 to 140°F) Wide temp. models: -40 to 75°C (-40 to 167°F)
Storage Temperature (package included)	-40 to 85°C (-40 to 185°F)
Ambient Relative Humidity	5 to 95% (non-condensing)

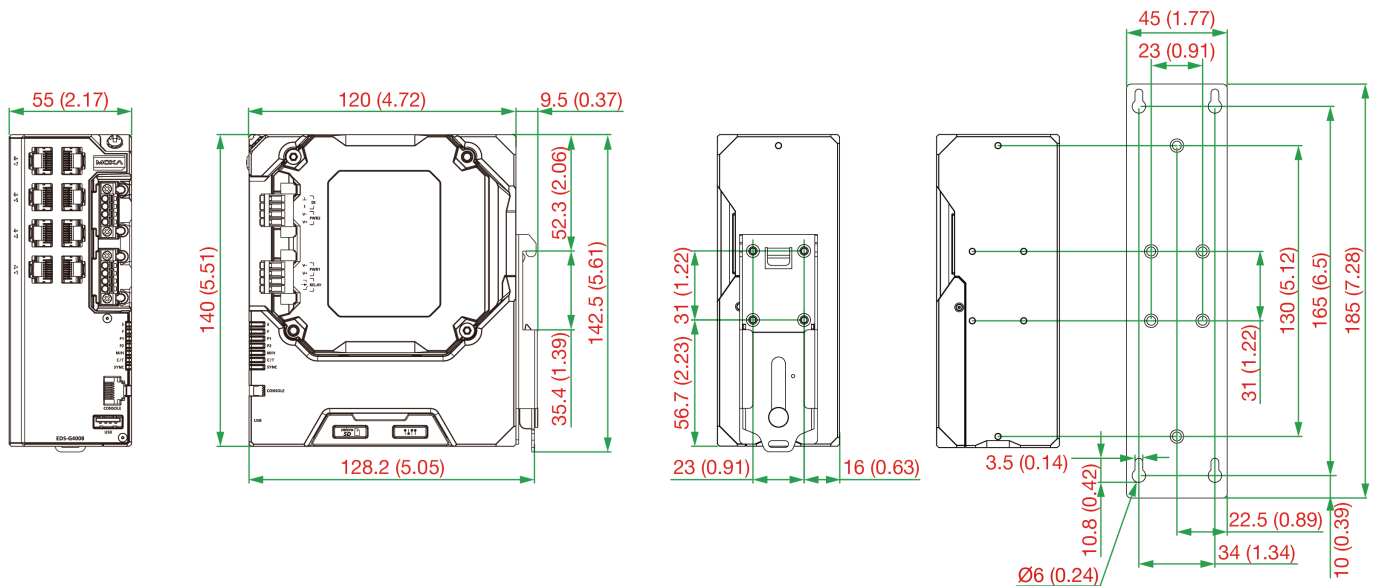
## Standards and Certifications

Industrial Cybersecurity	IEC 62443-4-1 IEC 62443-4-2
Safety	UL 61010-2-201 EN 62368-1 (LVD)
EMC	EN 55032/35 EN 61000-6-2/-6-4

EMI	CISPR 32, FCC Part 15B Class A
EMS	IEC 61000-4-2 ESD: Contact: 8 kV; Air: 15 kV IEC 61000-4-3 RS: 80 MHz to 1 GHz: 20 V/m IEC 61000-4-4 EFT: Power: 4 kV; Signal: 4 kV IEC 61000-4-5 Surge: Power: 4 kV; Signal: 4 kV IEC 61000-4-6 CS: 10 V IEC 61000-4-8 PFMF
Maritime	-LV/-LV-T models: DNV, ABS, NK, LR
Vibration	IEC 60068-2-6
Shock	IEC 60068-2-27
Freefall	IEC 60068-2-32
Railway	EN 50121-4
Traffic Control	NEMA TS2
Power Substation	IEC 61850-3 IEEE 1613 Class 1
Hazardous Locations	-LV/-LV-T models: ATEX IECEX Class I Division 2
<b>MTBF</b>	
Time	EDS-G4008-LV/-LV-T models: 1,098,085 hrs EDS-G4008-HV/-HV-T models: 511,204 hrs
Standards	Telcordia SR332
<b>Warranty</b>	
Warranty Period	5 years
Details	See <a href="http://www.moxa.com/jp/warranty">www.moxa.com/jp/warranty</a>
<b>Package Contents</b>	
Device	1 x EDS-G4008 Series switch
Documentation	1 x quick installation guide 1 x product notice, Simplified Chinese 1 x product certificates of quality inspection, Simplified Chinese 1 x warranty card

## 寸法

単位: mm (インチ)



## 注文情報

Model Name	10/100/1000BaseT(X) Ports, RJ45 Connector	Operating Voltage	Pre-installed Power Module	Operating Temp.
EDS-G4008-LV	8	9.6 to 60 VDC	PWR-100-LV	-10 to 60°C
EDS-G4008-LV-T	8	9.6 to 60 VDC	PWR-100-LV	-40 to 75°C
EDS-G4008-HV	8	88 to 300 VDC, 85 to 264 VAC	PWR-105-HV-I	-10 to 60°C
EDS-G4008-HV-T	8	88 to 300 VDC, 85 to 264 VAC	PWR-105-HV-I	-40 to 75°C

## アクセサリ (別売)

### Storage Kits

ABC-02-USB	Configuration backup and restoration tool, firmware upgrade, and log file storage tool for managed Ethernet switches and routers, 0 to 60°C operating temperature
ABC-02-USB-T	Configuration backup and restoration tool, firmware upgrade, and log file storage tool for managed Ethernet switches and routers, -40 to 75°C operating temperature
ABC-03-microSD-T	MicroSD-based configuration backup and restoration tool, firmware upgrades, and log file storage tool for managed Ethernet switches and WLAN products, -40 to 85°C operating temperature

### Power Supplies

HDR-60-24	60 W/2.5 A DIN-rail 24 VDC power supply, universal 85 to 264 VAC or 120 to 370 VDC input voltage, -30 to 70°C operating temperature
NDR-120-24	120 W/5.0 A DIN-rail 24 VDC power supply, universal 90 to 264 VAC or 127 to 370 VDC input voltage, -20 to 70°C operating temperature
NDR-120-48	120 W/2.5 A DIN-rail 48 VDC power supply, universal 90 to 264 VAC or 127 to 370 VDC input voltage, -20 to 70°C operating temperature
NDR-240-48	240 W/5.0 A DIN-rail 48 VDC power supply, universal 90 to 264 VAC or 127 to 370 VDC input voltage, -20 to 70°C operating temperature
MDR-40-24	DIN-rail 24 VDC power supply with 40W/1.7A, 85 to 264 VAC, or 120 to 370 VDC input, -20 to 70°C operating temperature
MDR-60-24	DIN-rail 24 VDC power supply with 60W/2.5A, 85 to 264 VAC, or 120 to 370 VDC input, -20 to 70°C operating temperature

© Moxa Inc. All rights reserved.2024年4月8日更新。

Moxa Inc.の明白な許可を書面で取得しない限り、本書およびその一部の複製や使用はいかなる方法やいかなる場合でも許可されません。製品の仕様は予告なく変更されることがあります。最新の製品情報については当社のWebサイトをご覧ください。