

MGate 5118 Series

1-port CAN-J1939 to Modbus/PROFINET/EtherNet/IP gateways



Features and Benefits

- Converts J1939 to Modbus, PROFINET, or EtherNet/IP
- Supports Modbus RTU/ASCII/TCP master/client and slave/server
- Supports EtherNet/IP Adapter
- Supports PROFINET IO device
- Supports J1939 protocol
- Effortless configuration via web-based wizard
- Built-in Ethernet cascading for easy wiring
- Embedded traffic monitoring/diagnostic information for easy troubleshooting
- microSD card for configuration backup/duplication and event logs
- Status monitoring and fault protection for easy maintenance
- CAN bus and serial port with 2 kV isolation protection
- -40 to 75°C wide operating temperature models available
- Security features based on IEC 62443

Certifications



Introduction

The MGate 5118 industrial protocol gateways support the SAE J1939 protocol, which is based on CAN bus (Controller Area Network). SAE J1939 is used to implement communication and diagnostics among vehicle components, diesel engine generators, and compression engines, and is suitable for the heavy-duty truck industry and backup power systems. It is now common to use an engine control unit (ECU) to control these kinds of devices, and more and more applications are using PLCs for process automation to monitor the status of J1939 devices connected behind the ECU.

The MGate 5118 gateways support the conversion of J1939 data to Modbus RTU/ASCII/TCP, EtherNet/IP, or PROFINET protocols to support most PLC applications. Devices that support the J1939 protocol can be monitored and controlled by PLCs and SCADA systems that use the Modbus RTU/ASCII/TCP, EtherNet/IP, and PROFINET protocols. With the MGate 5118, you can use the same gateway in a variety of PLC environments.

Key-in-Free J1939 Command

The J1939 protocol is designed to retrieve a wide range of data from CAN-J1939 devices. To eliminate the need to key in all J1939 commands into the gateway by hand, MGate 5118 gateways can auto detect the output commands used by the CAN device.

With a single click in the web console, all of the output commands from your CAN device will be detected by the gateway automatically. The commands will be displayed in the web console's command list, and then can be further modified by the user if needed. The MGate 5118 gateways make it much easier for users to connect PLCs with CAN devices.

A Variety of Maintenance Functions

The MGate 5118 gateways support a web console for easy configuration and maintenance, and the built-in traffic monitor function monitors J1939 protocol traffic, allowing users to monitor the status of connected CAN devices, including error count, packet count, and bus-offline. The traffic monitor function can also be used to troubleshoot CAN devices. The diagnostics tool helps users to check CAN device settings and indicates CAN device availability by reading the J1939 network address. In addition, the MGate 5118 gateways have a built-in Live List function for when two or more J1939 devices are connected to the same CAN bus. This function shows the PGN and address of packets transmitted from each device, giving users the ability to gage the loading of the CAN bus.

To detect loose cables, the MGate 5118 gateways support status monitoring and fault protection functions. The status monitoring function notifies a PLC when the cable between the gateway and CAN device is loose. In addition, the fault protection function executes actions predefined by the user when the cable between the gateway and PLC is loose.

Specifications

Ethernet Interface

10/100BaseT(X) Ports (RJ45 connector)	2 Auto MDI/MDI-X connection
Magnetic Isolation Protection	1.5 kV (built-in)

Ethernet Software Features

Industrial Protocols	Modbus TCP Client (Master), Modbus TCP Server (Slave), PROFINET IO Device, EtherNet/IP Scanner, EtherNet/IP Adapter
Configuration Options	Web Console (HTTP/HTTPS), Device Search Utility (DSU), Telnet Console
Management	ARP, DHCP Client, DNS, HTTP, HTTPS, SMTP, SNMP Trap, SNMPv1/v2c/v3, TCP/IP, Telnet, SSH, UDP, NTP Client
MIB	RFC1213, RFC1317
Time Management	NTP Client

Serial Interface

Console Port	RS-232 (TxD, RxD, GND), 8-pin RJ45 (115200, n, 8, 1)
No. of Ports	1
Connector	DB9 male
Serial Standards	RS-232/422/485
Baudrate	50 bps to 921.6 kbps
Data Bits	7, 8
Parity	None, Even, Odd, Space, Mark
Stop Bits	1, 2
Flow Control	RTS Toggle (RS-232 only), RTS/CTS
Pull High/Low Resistor for RS-485	1 kilo-ohm, 150 kilo-ohms
Terminator for RS-485	120 ohms
Isolation	2 kV

Serial Signals

RS-232	TxD, RxD, RTS, CTS, DTR, DSR, DCD, GND
RS-422	Tx+, Tx-, Rx+, Rx-, GND
RS-485-2w	Data+, Data-, GND
RS-485-4w	Tx+, Tx-, Rx+, Rx-, GND

Serial Software Features

Configuration Options	Serial Console
Industrial Protocols	J1939, Modbus RTU/ASCII Master, Modbus RTU/ASCII Slave

Modbus RTU/ASCII

Mode	Master, Slave
Functions Supported	1, 2, 3, 4, 5, 6, 15, 16, 23
Max. No. of Commands	128

Modbus TCP

Mode	Client (Master), Server (Slave)
Functions Supported	1, 2, 3, 4, 5, 6, 15, 16, 23
Max. No. of Client Connections	16
Max. No. of Server Connections	32
Max. No. of Commands	128

PROFINET

Mode	IO Device
Max. No. of IO Controller Connections	1 (for read/write)
Input Data Size	512 bytes
Output Data Size	512 bytes

EtherNet/IP

Mode	Scanner, Adapter
CIP Objects Supported	Identity, Message Router, Assembly, Connection Manager, TCP/IP interface, Ethernet link, Port
Max. No. of Scanner Connections	1 (for read-only), 1 (for read/write)
Max. No. of Adapter Connections	4
Input Data Size	496 bytes
Output Data Size	496 bytes

CAN Interface

Industrial Protocols	J1939
No. of Ports	1
Connector	Spring-type Euroblock terminal
Baudrate	250 kbps, 500 kbps
Terminator	120 ohms
Isolation	2 kV (built-in)

J1939

Max. No. of Commands	256
Input Data Size	2048 bytes
Output Data Size	2048 bytes

Memory

microSD Slot	Up to 32 GB (SD 2.0 compatible)
--------------	---------------------------------

Power Parameters

Input Voltage	12 to 48 VDC
Input Current	416 mA @ 12 VDC
Power Connector	Spring-type Euroblock terminal

Relays

Contact Current Rating	Resistive load: 2 A @ 30 VDC
------------------------	------------------------------

Physical Characteristics

Housing	Metal
IP Rating	IP30
Dimensions	45.8 x 105 x 134 mm (1.8 x 4.13 x 5.28 in)
Weight	589 g (1.30 lb)

Environmental Limits

Operating Temperature	MGate 5118: 0 to 60°C (32 to 140°F) MGate 5118-T: -40 to 75°C (-40 to 167°F)
Storage Temperature (package included)	-40 to 85°C (-40 to 185°F)
Ambient Relative Humidity	5 to 95% (non-condensing)

Standards and Certifications

Safety	EN 60950-1, UL 61010-2-201
EMC	EN 61000-6-2/-6-4
EMI	CISPR 32, FCC Part 15B Class A
EMS	IEC 61000-4-2 ESD: Contact: 8 kV; Air: 15 kV IEC 61000-4-3 RS: 80 MHz to 1 GHz: 10 V/m IEC 61000-4-4 EFT: Power: 4 kV; Signal: 4 kV IEC 61000-4-5 Surge: Power: 2 kV; Signal: 2 kV IEC 61000-4-6 CS: 150 kHz to 80 MHz: 10 V/m; Signal: 10 V/m IEC 61000-4-8 PFMF
Hazardous Locations	ATEX, Class I Division 2, IECEx
Freefall	IEC 60068-2-32
Shock	IEC 60068-2-27
Vibration	IEC 60068-2-6, IEC 60068-2-64

MTBF

Time	727,873 hrs
Standards	Telcordia SR332

Warranty

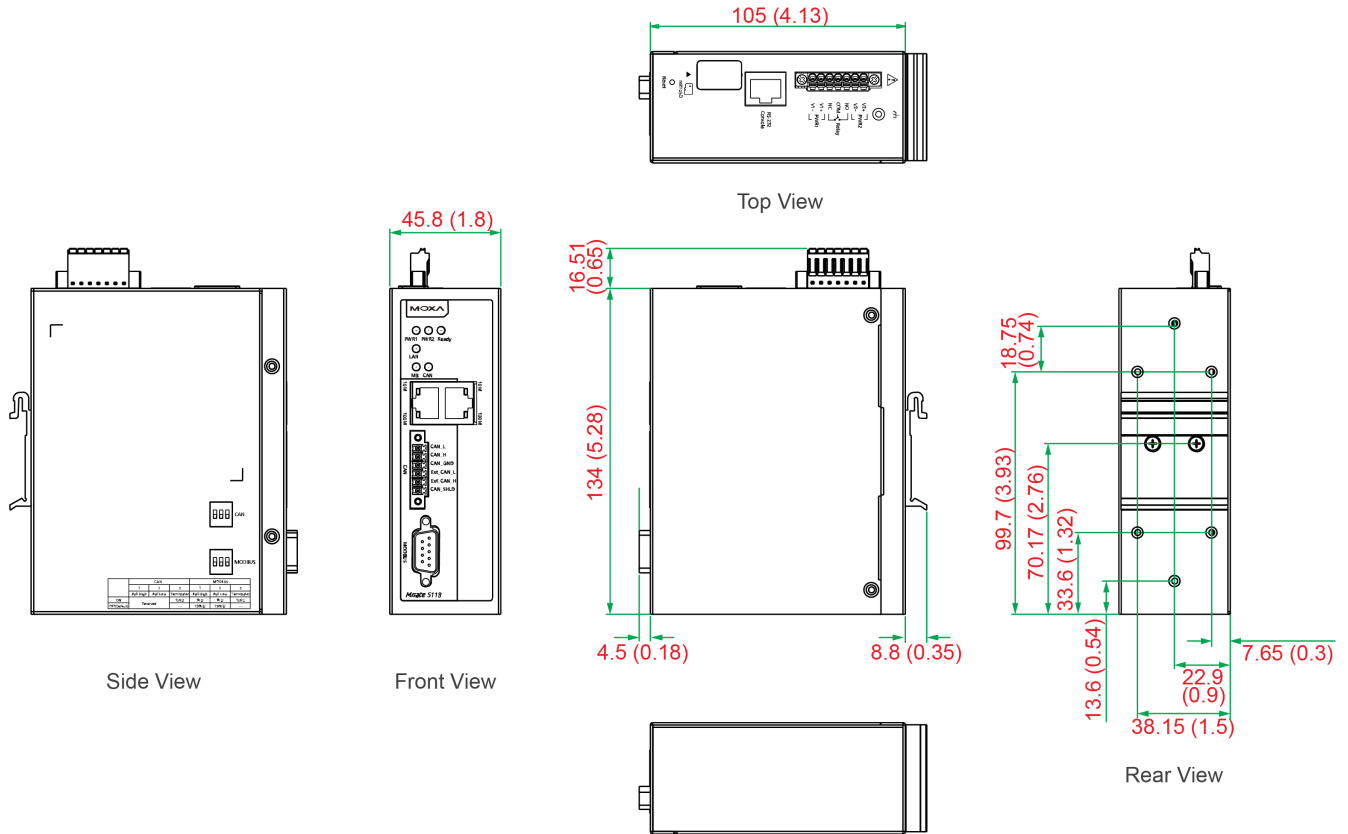
Warranty Period	5 years
Details	See www.moxa.com/warranty

Package Contents

Device	1 x MGate 5118 Series gateway
Installation Kit	1 x DIN-rail kit
Documentation	1 x quick installation guide 1 x warranty card

Dimensions

Unit: mm (inch)



Ordering Information

Model Name	Operating Temp.
MGate 5118	0 to 60°C
MGate 5118-T	-40 to 75°C

Accessories (sold separately)

Cables

CBL-F9M9-150	DB9 female to DB9 male serial cable, 1.5 m
CBL-F9M9-20	DB9 female to DB9 male serial cable, 20 cm
CBL-RJ45F9-150	RJ45 to DB9 female serial cable, 1.5 m
CBL-RJ45SF9-150	RJ45 to DB9 female serial shielded cable, 1.5 m

Connectors

Mini DB9F-to-TB	DB9 female to terminal block connector
-----------------	--

Wall-Mounting Kits

WK-51-01

Wall-mounting kit, 2 plates, 6 screws, 51.6 x 67 x 2 mm

Power Cords

CBL-PJTB-10

Non-locking barrel plug to bare-wire cable

© Moxa Inc. All rights reserved. Updated Nov 11, 2019.

This document and any portion thereof may not be reproduced or used in any manner whatsoever without the express written permission of Moxa Inc. Product specifications subject to change without notice. Visit our website for the most up-to-date product information.