

DA-680 系列

配備第 8 代 Intel® Core™ 處理器、8 個 Gigabit 乙太網路連接埠和 8 至 16 個串列埠並且符合 IEC-61850 標準的 1U 機架安裝電腦



特色與優點

- 符合 IEC 61850-3、IEEE 1613 及 IEC 60255 標準，適用於變電站自動化系統
- 內建 DDR4 記憶體插槽，支援 16GB 容量
- 支援 100~240 VAC/VDC 電源輸入 (有單電源和雙電源型號)

認證

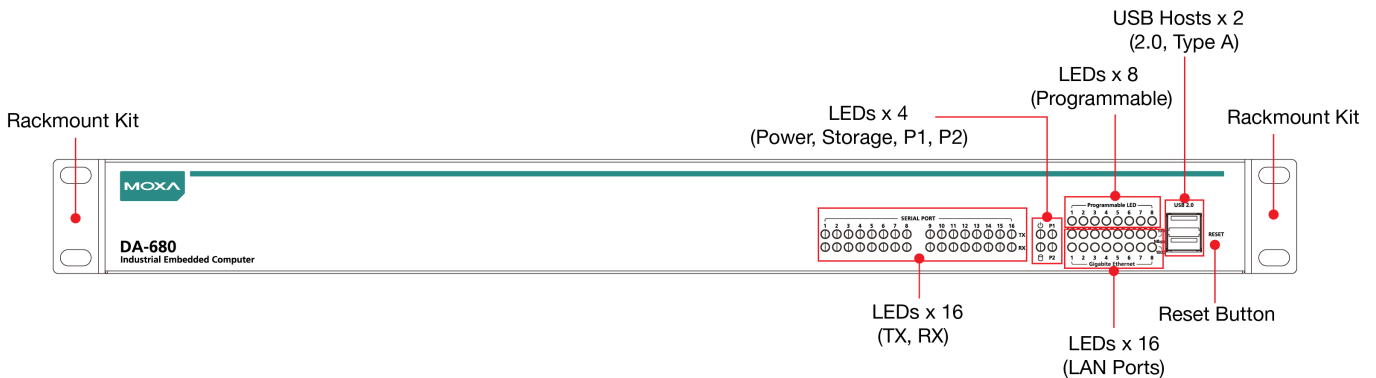


簡介

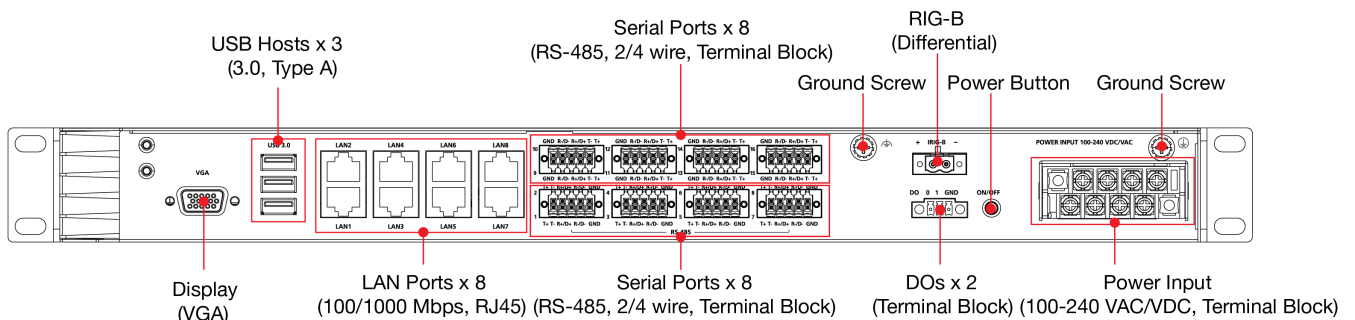
DA-680 電腦搭載 Intel® Core™ i3 處理器，並配備 8 個 Gigabit 乙太網路連接埠、1 個 VGA 連接埠、8/16 隔離 RS-485 串列埠和 5 個 USB 埠。此外，還包含一個 2.5 吋硬碟 / 固態硬碟插槽和一個 mSATA 插槽，可為需要大量儲存空間進行邊緣資料擷取的工業應用擴充儲存容量。由於符合 IEC 61850-3，IEEE 1613 及 IEEE 60255 標準，DA-680 無疑能夠為電力應用提供穩定可靠的系統運作。

外觀

前視圖



後視圖



規格

Computer

CPU	Intel® Core™ i3-8145UE Whiskey Lake processor
System Memory Slot	DDR4 (non-ECC) slots x 1
DRAM	16 GB max
Graphics Controller	Intel® UHD Graphics 620
Storage Slot	2.5-inch HDD/SSD slots x 1 mSATA slots x 1
Supported OS	Windows 10 IoT Ent 2021 LTSC, version 21H2 Linux Debian 11 Ubuntu 20.04 CentOS 7.9

Computer Interface

USB 2.0	USB 2.0 hosts x 3, type-A connectors 2 ports on the front panel, 1 port inside the computer
USB 3.0	USB 3.0 hosts x 3, type-A connectors 3 ports on the rear panel
Video Output	VGA x 1, DB-15 connector
Ethernet Ports	Auto-sensing 10/100/1000 Mbps ports (RJ45 connector) x 8
Time Synchronization	IRIG-B (terminal block)
TPM	TPM v2.0
Serial Ports	DA-680-I-8-WL3-H/HH: 2-wire RS-485/4-wire RS-485 x 8 (terminal block) DA-680-I-16-WL3-H/HH: 2-wire RS-485/4-wire RS-485 x 16 (terminal block)

Digital Outputs

Connector	Screw-fastened Euroblock terminal
Current Rating	200 mA per channel
I/O Type	Sink
Voltage	24 VDC nominal, open collector to 30 VDC
Isolation	3k VDC

LED Indicators

System	Programmable x 6 Storage x 1 Power x 1 Power Fail x 2 (Power Fail 1/2)
LAN	2 per port (10/100/1000 Mbps)
Serial	2 per port (Tx, Rx)

Serial Interface

Baudrate	50 bps to 115.2 kbps
Connector	Terminal block
Serial Standards	RS-485 2-wire / 4-wire

Serial Signals

RS-485-2w	Data+, Data-, GND
RS-485-4w	Tx+, Tx-, Rx+, Rx-, GND

IRIG-B Interface

Input Signal	Differential
Time-code Input	Based On: IRIG standard 200-04 IEEE 1344
Accuracy (Time Synchronization)	±1 µs
Accuracy (Free Running)	±500 ms @ 24 hr

Power Parameters

Input Current	100 to 240 VAC, 50/60 Hz, 1.05 A (max) 100 to 240 VDC, 0.7 A (max)
Power Button	ON/OFF (rear panel)
Reset Button	Reset button (front panel)

Physical Characteristics

Housing	Metal
Dimensions (without ears)	440 x 335.5 x 44 mm (17.32 x 13.21 x 1.73 in)
Weight	4659.5 g (10.27 lb)
Installation	19-inch rack mounting

Environmental Limits

Operating Temperature	-25 to 55°C (-13 to 131°F)
Storage Temperature (package included)	-40 to 85°C (-40 to 185°F)
Ambient Relative Humidity	5 to 95% (non-condensing)

Standards and Certifications

EMC	EN 55032/35 EN 61000-6-2/-6-4
EMI	CISPR 32, FCC Part 15B Class A
EMS	IEC 61000-4-2 ESD: Contact: 8 kV; Air: 15 kV IEC 61000-4-3 RS: 80 MHz to 1 GHz: 20 V/m IEC 61000-4-4 EFT: Power: 4 kV; Signal: 4 kV IEC 61000-4-5 Surge: Power: 4 kV; Signal: 4 kV IEC 61000-4-6 CS: 10 V IEC 61000-4-8 PFMF: 100 A/m at 50 Hz IEC 61000-4-11
Power Substation	IEC 61850-3 IEEE 1613
Protection Relay	IEC 60255
Shock	IEC 61850-3 Edition 2.0, IEC 60068-2-27, IEC 60255-21-2
Safety	UL 62368-1 IEC 62368-1

Declaration

Green Product	RoHS, CRoHS, WEEE
---------------	-------------------

MTBF

Time	238,154 hrs
Standards	Telcordia SR332

Warranty

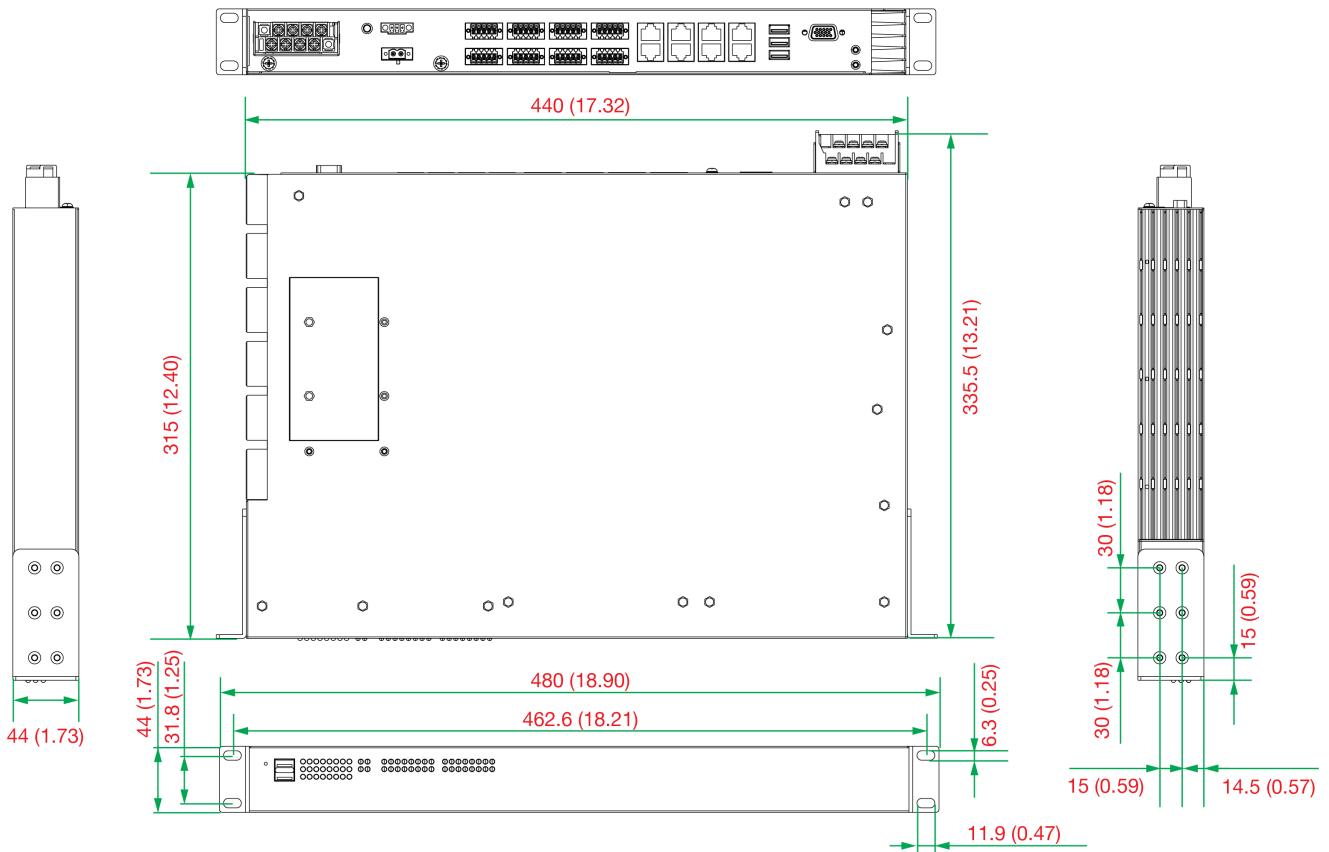
Warranty Period	3 years
Details	See www.moxa.com/tw/warranty

Package Contents

Device	1 x DA-680 Series computer
Installation Kit	1 x rack-mounting ear
Documentation	1 x quick installation guide 1 x warranty card
Note	This product requires additional modules (sold separately) to function.

尺寸

單位：公釐 (英吋)



訂購資訊

Model Name	10/100/1000 Mbps Ports (RJ45 Connector)	RS-485 2-Wire/4-Wire (Terminal Block)	CPU	Power Input 100-240 VAC/VDC	Operating Temp.
DA-680-I-8-WL3-HH	8	8	Intel® Core™ i3-8145UE	Dual	-25 to 55°C
DA-680-I-8-WL3-H	8	8	Intel® Core™ i3-8145UE	Single	-25 to 55°C
DA-680-I-16-WL3-HH	8	16	Intel® Core™ i3-8145UE	Dual	-25 to 55°C
DA-680-I-16-WL3-H	8	16	Intel® Core™ i3-8145UE	Single	-25 to 55°C

配件 (選購)

Storage Kits

DA-680 SSD/HDD Kit

DA-680 SSD/HDD Kit

© Moxa Inc. 版權所有.2023 年 8 月 21 日更新。

未經 Moxa Inc. 明確書面許可，不得以任何方式複製或使用本文件及其任何部分。產品規格如有變更，恕不另行通知。請至本公司官網了解最新的產品資訊。