

UPort 1200/1400/1600 Series

2 to 16-port RS-232, RS-422/485, and RS-232/422/485 USB-to-serial converters



Features and Benefits

- Hi-Speed USB 2.0 for up to 480 Mbps USB data transmission rates
- 921.6 kbps maximum baudrate for fast data transmission
- Real COM and TTY drivers for Windows, Linux, and macOS
- Mini-DB9-female-to-terminal-block adapter for easy wiring
- LEDs for indicating USB and TxD/RxD activity
- 2 kV isolation protection (for “-I” models)

Certifications



Introduction

The UPort® 1200/1400/1600 Series of USB-to-serial converters is the perfect accessory for laptop or workstation computers that do not have a serial port. They are essential for engineers who need to connect different serial devices in the field or separate interface converters for devices without a standard COM port or DB9 connector.

The UPort® 1200/1400/1600 Series converts from USB to RS-232/422/485. All products are compatible with legacy serial devices, and can be used with instrumentation and point-of-sale applications.

Specifications

USB Interface

Speed	12 Mbps, 480 Mbps
USB Connector	USB Type B
USB Standards	USB 1.1/2.0 compliant

Serial Interface

No. of Ports	UPort 1200 Models: 2 UPort 1400 Models: 4 UPort 1600-8 Models: 8 UPort 1600-16 Models: 16
Connector	DB9 male
Baudrate	50 bps to 921.6 kbps
Data Bits	5, 6, 7, 8
Stop Bits	1, 1.5, 2
Parity	None, Even, Odd, Space, Mark
Flow Control	None, RTS/CTS, XON/XOFF
Isolation	2 kV (I models)
Serial Standards	UPort 1410/1610-8/1610-16: RS-232 UPort 1250/1250I/1450/1650-8/1650-16: RS-232, RS-422, RS-485

Serial Signals

RS-232	TxD, RxD, RTS, CTS, DTR, DSR, DCD, GND
RS-422	Tx+, Tx-, Rx+, Rx-, GND
RS-485-4w	Tx+, Tx-, Rx+, Rx-, GND
RS-485-2w	Data+, Data-, GND

Serial Software Features

Windows Drivers	Windows 95/98/ME/NT/2000, Windows XP/2003/Vista/2008/7/8/8.1, Windows 10/11 (x86/x64), Windows Server 2008 R2/2012/2012 R2/2016/2019 (x64)
Mac Drivers	macOS 11.0 macOS 10.15 macOS 10.14 macOS 10.13 macOS 10.12
Linux Drivers	Linux kernel 5.x, Linux kernel 4.x, Linux kernel 3.x, Linux kernel 2.6.x, Linux kernel 2.4.x

Power Parameters

Input Voltage	UPort 1250/1410/1450: 5 VDC ¹ UPort 1250/1400/1600-8 Models: 12 to 48 VDC UPort 1600-16 Models: 100 to 240 VAC
Input Current	UPort 1250: 360 mA @ 5 VDC UPort 1250I: 200 mA @ 12 VDC UPort 1410/1450: 260 mA @ 12 VDC UPort 1450I: 360 mA @ 12 VDC UPort 1610-8/1650-8: 580 mA @ 12 VDC UPort 1600-16 Models: 220 mA @ 100 VAC

Physical Characteristics

Housing	Metal
Dimensions	UPort 1250/1250I: 77 x 26 x 111 mm (3.03 x 1.02 x 4.37 in) UPort 1410/1450/1450I: 204 x 30 x 125 mm (8.03 x 1.18 x 4.92 in) UPort 1610-8/1650-8: 204 x 44 x 125 mm (8.03 x 1.73 x 4.92 in) UPort 1610-16/1650-16: 440 x 45.5 x 198.1 mm (17.32 x 1.79 x 7.80 in)
Weight	UPort 1250/1250I: 180 g (0.40 lb) UPort 1410/1450/1450I: 720 g (1.59 lb) UPort 1610-8/1650-8: 835 g (1.84 lb) UPort 1610-16/1650-16: 2,475 g (5.45 lb)

Environmental Limits

Storage Temperature (package included)	-20 to 75°C (-4 to 167°F)
Ambient Relative Humidity	5 to 95% (non-condensing)
Operating Temperature	UPort 1200 Models: 0 to 60°C (32 to 140°F) UPort 1400/1600-8/1600-16 Models: 0 to 55°C (32 to 131°F)

Standards and Certifications

EMC	EN 55032/35
EMI	CISPR 32, FCC Part 15B Class A

1. UPort 1410/1450 Models: 5 V for USB port power, 12 V for external power adapter

EMS	IEC 61000-4-2 ESD: Contact: 4 kV; Air: 8 kV IEC 61000-4-3 RS: 80 MHz to 1 GHz: 3 V/m IEC 61000-4-4 EFT: Power: 1 kV IEC 61000-4-5 Surge: Power: 1 kV IEC 61000-4-6 CS: 150 kHz to 80 MHz: 3 V/m IEC 61000-4-8 PFMF
Safety	UPort 1200 /1600-16 Models : UL 60950-1 UPort 1400 /1600-8 Models : UL/IEC 62368-1

Declaration

Green Product	RoHS, CRoHS, WEEE
---------------	-------------------

MTBF

Time	UPort 1250/1250I: 563,179 hrs UPort 1410: 394,441 hrs UPort 1450/1450I: 546,770 hrs UPort 1610-8: 208,413 hrs UPort 1650-8: 186,567 hrs UPort 1610-16: 138,704 hrs UPort 1650-16: 120,001 hrs
Standards	UPort 1250/1250I/1410/1450/1450I: Telcordia (Bellcore) Standard UPort 1610-8/1650-8/1610-16/1650-16: MIL-HDBK-217F

Warranty

Warranty Period	5 years
Details	See www.moxa.com/warranty

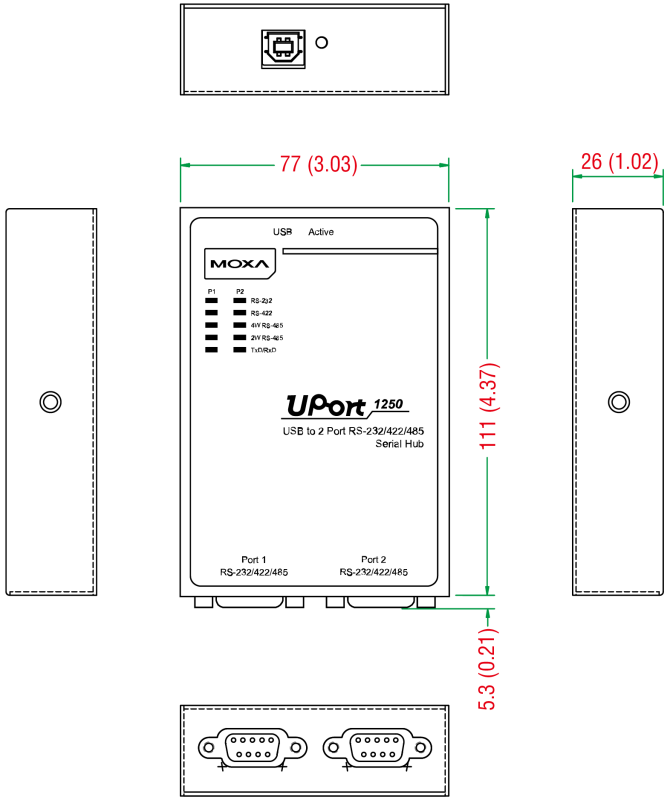
Package Contents

Device	1 x UPort 1200/1400/1600 Series USB-to-serial converter
Cable	1 x USB type A male to USB type B male
Connectors	1 x Mini DB9F-to-TB (UPort 1250/1450/1650 models)
Power Supply	1 x power adapter, universal (UPort 1250I/1450/1450I/1600-8) 1 x power cord (UPort 1600-16)
Installation Kit	1 x rack-mounting ear (UPort 1600-16 models)
Documentation	1 x quick installation guide 1 x warranty card

Dimensions

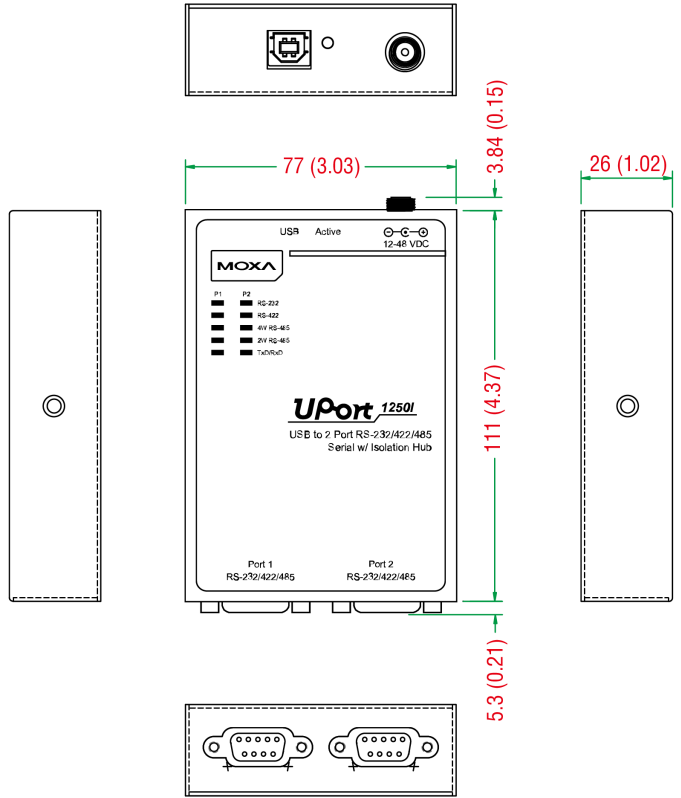
UPort 1250

Unit: mm (inch)



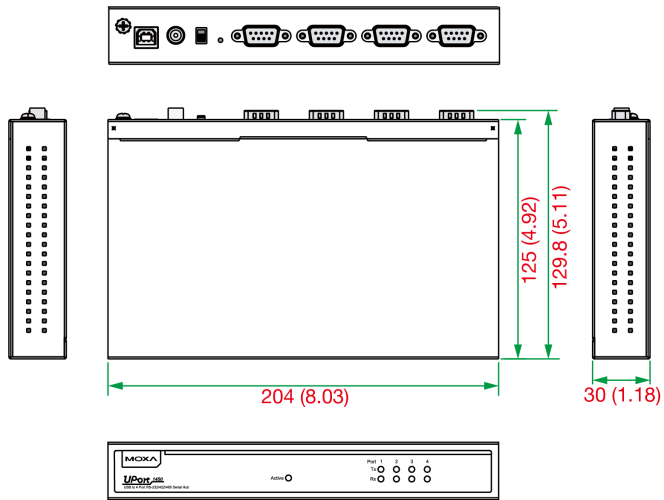
UPort 1250I

Unit: mm (inch)



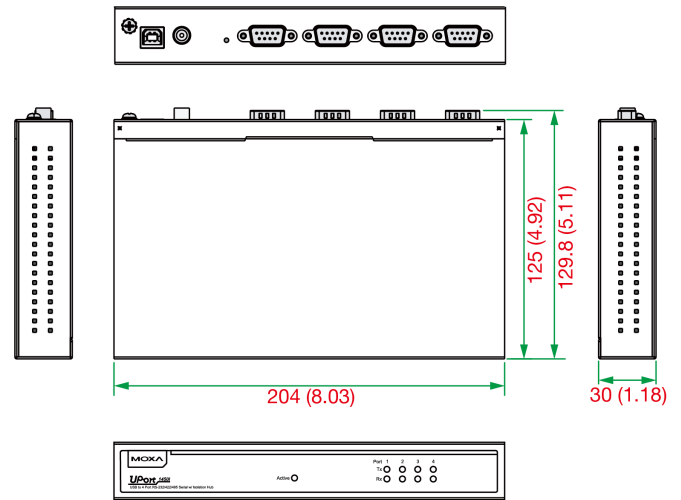
UPort 1410/1450

Unit: mm (inch)



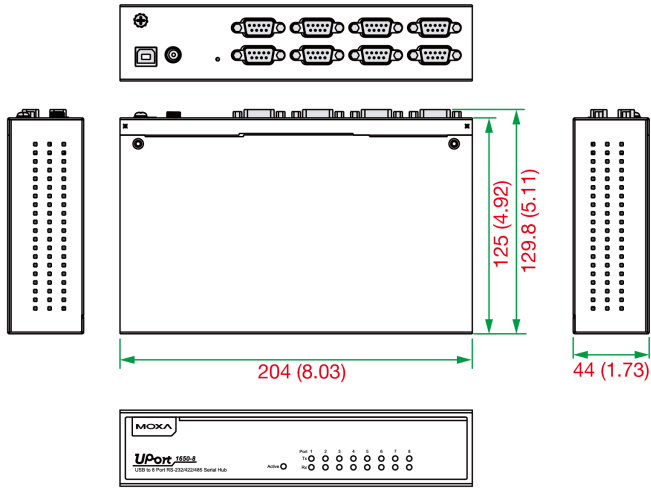
UPort 1450I

Unit: mm (inch)



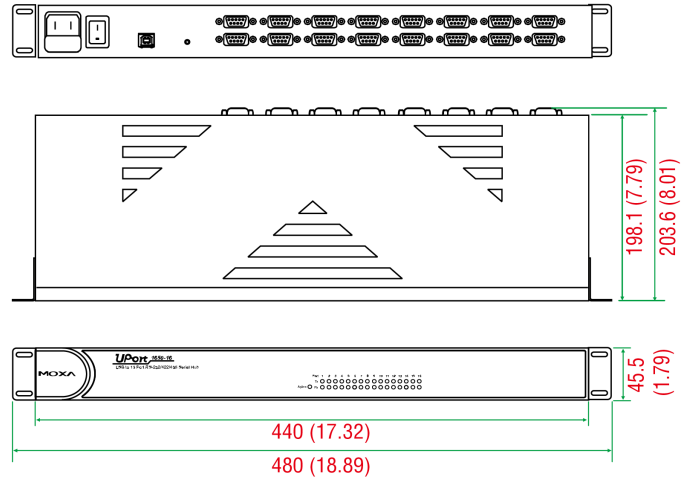
UPort 1610-8/1650-8

Unit: mm (inch)



UPort 1610-16/1650-16

Unit: mm (inch)



Ordering Information

Model Name	USB Interface	Serial Standards	No. of Serial Ports	Isolation	Housing Material	Operating Temp.
UPort 1250	USB 2.0	RS-232/422/485	2	–	Metal	0 to 55°C
UPort 1250I	USB 2.0	RS-232/422/485	2	2 kV	Metal	0 to 55°C
UPort 1410	USB 2.0	RS-232	4	–	Metal	0 to 55°C
UPort 1450	USB 2.0	RS-232/422/485	4	–	Metal	0 to 55°C
UPort 1450I	USB 2.0	RS-232/422/485	4	2 kV	Metal	0 to 55°C
UPort 1610-8	USB 2.0	RS-232	8	–	Metal	0 to 55°C
UPort 1650-8	USB 2.0	RS-232/422/485	8	–	Metal	0 to 55°C
UPort 1610-16	USB 2.0	RS-232	16	–	Metal	0 to 55°C
UPort 1650-16	USB 2.0	RS-232/422/485	16	–	Metal	0 to 55°C

Accessories (sold separately)

Cables

CBL-USBA/B-100	USB Type A to USB Type B cable, 1 m
CN20070	10-pin RJ45 to DB9 female serial cable
NP21101	DB25 male to DB9 female cable for RS-232 transmission, 30 cm
CBL-F9M9-20	DB9 female to DB9 male serial cable, 20 cm
CBL-F9M9-150	DB9 female to DB9 male serial cable, 1.5 m
CBL-RJ45SF9-150	8-pin RJ45 to DB9 female serial cable with shielding, 1.5m

Connectors

Mini DB9F-to-TB	DB9 female to terminal block connector
ADP-RJ458P-DB9F	DB9 female to RJ45 connector
A-ADP-RJ458P-DB9F-ABC01	DB9 female to RJ45 connector for the ABC-01 Series

Mounting Kits

DK-UP1200	DIN rail (25x48.3 mm) with 2 screws (FMS M3X6) Applicable Models: UPort 1250
-----------	--

	UPort 1250I
DK-UP1400	DIN-rail/wall-mounting kit, 2 plates, 6 screws, and 2 DIN-rail plates, 4 screws Applicable Models: UPort 1410 UPort 1450 UPort 1450I UPort 1610-8 UPort 1650-8

DIN-Rail Mounting Kits

DK-UP-14168	DIN-rail kit with 2 plates (89 x 19 mm), 6 screws (FMS M3 x 5 mm) for the UPort 1400 (V1.5.0 and after) and 1600-8 (V1.4.0 and after) models Applicable Models: UPort 1410 UPort 1450 UPort 1450I UPort 1610-8 UPort 1650-8
-------------	---

Wall-Mounting Kits

WK-35-02	Wall-mounting kit with 2 plates (35 x 24 x 1.2 mm) and 6 screws Applicable Models: UPort 1250 UPort 1250I
WK-35-01	Wall-mounting kit with 2 plates (35 x 44 x 2.5 mm) and 6 screws Applicable Models: UPort 1410 UPort 1450 UPort 1450I UPort 1610-8 UPort 1650-8
WK-UP-14168	Wall-mounting kit with 2 plates (35 x 44 mm), 6 screws (FMS M3 x 4 mm) for the UPort 1400 and 1600-8 models Applicable Models: UPort 1410 UPort 1450 UPort 1450I UPort 1610-8 UPort 1650-8

Rack-Mounting Kits

WK-45-01	Rack-mounting kit, 2 L-shaped plates, 6 screws, 45 x 57 x 2.5 mm Applicable Models: UPort 1610-16 UPort 1650-16
----------	--

Power Adapters

PWR-12150-WP-S4	PWR-12150-WP-S4 Applicable Models: UPort 1250 UPort 1250I UPort 1410 UPort 1450 UPort 1450I UPort 1610-8 UPort 1650-8
-----------------	---

Power Cords

PWC-C13EU-3B-183	Power cord with Continental Europe (EU) plug, 1.83 m Applicable Models: UPort 1610-16
------------------	---

	UPort 1650-16
PWC-C13CN-3B-183	Power cord with three-prong China (CN) plug, 1.83 m Applicable Models: UPort 1610-16 UPort 1650-16
PWC-C13JP-3B-183	Power cord with Japan (JP) plug, 7A/125V, 1.83 m Applicable Models: UPort 1610-16 UPort 1650-16
PWC-C13US-3B-183	Power cord with United States (US) plug, 1.83 m Applicable Models: UPort 1610-16 UPort 1650-16
PWC-C13UK-3B-183	Power cord with United Kingdom (UK) plug, 1.83 m Applicable Models: UPort 1610-16 UPort 1650-16
PWC-C13AU-3B-183	Power cord with Australian (AU) plug, 1.83 m Applicable Models: UPort 1610-16 UPort 1650-16
PWC-C7EU-2B-183	Power cord with Continental Europe (EU) plug, 2.5A/250V, 1.83 m Applicable Models: UPort 1250 UPort 1250I UPort 1410 UPort 1450 UPort 1450I UPort 1610-8 UPort 1650-8
PWC-C7CN-2B-183	Power cord with three-prong China (CN) plug, 2.5A/250V, 1.83 m Applicable Models: UPort 1250 UPort 1250I UPort 1410 UPort 1450 UPort 1450I UPort 1610-8 UPort 1650-8
PWC-C7JP-2B-183	Power cord for desktop-type power adapters with Japan (JP) plug, 7A/125V, 1.83 m Applicable Models: UPort 1250 UPort 1250I UPort 1410 UPort 1450 UPort 1450I UPort 1610-8 UPort 1650-8
PWC-C7US-2B-183	Power cord with United States (US) plug, 10A/125V, 1.83 m Applicable Models: UPort 1250 UPort 1250I UPort 1410 UPort 1450 UPort 1450I UPort 1610-8 UPort 1650-8

PWC-C7UK-2B-183	<p>Power cord with United Kingdom (UK) plug, 2.5A/250V, 1.83 m</p> <p>Applicable Models: UPort 1250 UPort 1250I UPort 1410 UPort 1450 UPort 1450I UPort 1610-8 UPort 1650-8</p>
PWC-C7AU-2B-183	<p>Power cord with Australian (AU) plug, 2.5A/250V, 1.83 m</p> <p>Applicable Models: UPort 1250 UPort 1250I UPort 1410 UPort 1450 UPort 1450I UPort 1610-8 UPort 1650-8</p>

© Moxa Inc. All rights reserved. Updated Oct 17, 2022.

This document and any portion thereof may not be reproduced or used in any manner whatsoever without the express written permission of Moxa Inc. Product specifications subject to change without notice. Visit our website for the most up-to-date product information.