

VPort 07-3 系列

EN 50155 3 百萬像素 H.265 輕巧型 IP 攝影機



特色與優點

- 1/3 吋逐行掃描攝影機，20 fps 時可達到 2048 x 1536 之解析度，30 fps 時可達到 1920 x 1080 之解析度
- 以 DNR 和 WDR 提供高畫質影像
- 可同時支援高達 4 組 H.265/H.264 或 MJPEG 獨立影像串流
- DynaStream™ 可優化網路效能
- CBR Pro™ 在有限頻寬傳輸更高畫質的影像
- 內建 1 組音源輸入或是麥克風
- 符合 ONVIF 中標準化和互通性

認證



簡介

VPort 07-3 攝影機為精巧型 3 百萬像素 (2048 x 1536)、H.265/H.264/MJPEG 半球型網路攝影機，專為行動視訊 監控應用所設計。此系列攝影機符合 EN 62262 IK8、EN 50155 強制規範，¹ 並支援 -40 至 55°C 或 -40 至 70°C 的操作溫度範圍。VPort 07-3 攝影機採用堅固耐用的 M12 乙太網路連接埠、ONVIF Profile S、T、M 標準化、內建音源線路連接埠或麥克風、PoE 或 24 VDC 電源輸入、IP66 防護等級，以及可更換不同固定焦距的鏡頭，VPort 07-3 攝影機在各種 極端環境條件下能可靠地運作，因此適用於各種 行動視訊監控應用。

規格

Input/Output Interface

Digital Input Channels	1
Digital Inputs	+13 to +30 V for state 1 -30 to +1 V for state 0 Max. input current: 8 mA
Connector	VPort P07-3 Series: 5-pin male M12 connector with 20 cm cable VPort 07-3 Series: DB9 male

Ethernet Interface

PoE Ports (10/100BaseT(X), M12 D-coded 4-pin female connector)	VPort P07-3 Series: 1
10/100BaseT(X) Ports (M12 D-coded 4-pin female connector)	VPort 07-3 Series: 1

1. 本產品適用於符合 EN 50155 標準所定義的軌道車輛應用。
如需更詳細的說明，請參閱：www.moxa.com/doc/specs/EN_50155_Compliance.pdf

Ethernet Software Features

Protocols	TCP/IP IPv4/IPv6 UDP HTTP RTP/RTSP ARP UPnP FTP TFTP SFTP NTP Client DNS QoS IGMP v3 ICMP SNMPv1/v2c/v3 DHCP Opt66/67 HTTPS
-----------	--

Security Functions

Password	User-level password protection
Filter	IP address
System Boot	Secure Boot
Encryption	HTTPS SSH

Power Parameters

No. of Power Inputs	1
Source of Input Power	VPort P07-3 Series: PoE (IEEE 802.3af)
Input Voltage	VPort 07-3 Series: 12/24 VDC
Input Current	VPort P07-3: 48 VDC @ 0.137 A VPort 07-3: 24V VDC @ 0.27 A; 12 VDC @ 0.59 A
Power Connector	VPort 07-3 Series: DB9 connector

Camera Characteristics

Sensor	1/3-in 3-megapixel progressive scan CMOS
Lens	VPort 07/P07-3x24M Series: f=2.4 mm, F2.0, Diagonal 139°, Horizontal 110°, Vertical 81° VPort 07/P07-3x36M Series: f=3.6 mm, F1.6, Diagonal 97°, Horizontal 75°, Vertical 55° VPort 07/P07-3x42M Series: f=4.2 mm, F1.6, Diagonal 82°, Horizontal 64°, Vertical 47° VPort 07/P07-3x60M Series: f=6.0 mm, F1.8, Diagonal 57°, Horizontal 43°, Vertical 32° VPort 07/P07-3x80M Series: f=8.0 mm, F1.6, Diagonal 41°, Horizontal 33°, Vertical 24°
Minimum Illumination	Color: 0.2 lux, at F1.2 (Gain High, 50 IRE, 1/30 sec)
Synchronization	Internal
White Balance	ATW/AWB
Electronic Shutter	Auto, Fixed (1/30 to 1/25000 sec)
S/N Ratio	Maximum 50 dB (AGC off; DNR on)
DNR (digital noise reduction)	Built-in 2D/3D DNR
WDR (wide dynamic range)	100 dB
AGC (auto gain control)	2X, 4X, 8X, 16X

Flickerless Control	Automatic, 50 Hz, 60 Hz modes
Image Rotation	Flip, Mirror, 90°, 180°, 270° rotation
Image Setting	Manual tuning with saturation, sharpness, and contrast
Camera Angle	Pan: ±15°, Tilt: 20° to 90° for 2.4mm lens, 0° to 90° for other lens (controlled manually)

Video Interface

Video Compression	H.265 (MPEG-H part 2/HEVC), H.264 (ISO/IEC 14496-10/AVC), or MJPEG
Video Output	via Ethernet
Video Streams	4 independent video streams

Video Resolution and FPS (frames per second)	NTSC		PAL		
		Size	Max. FPS	Size	Max. FPS
	CIF	352 x 240	30	352 x 288	25
	VGA	640 x 480	30	640 x 480	25
	4CIF	704 x 480	30	704 x 576	25
	Full D1	720 x 480	30	720 x 576	25
	SVGA	800 x 600	30	800 x 600	25
	HD	1280 x 720	30	1280 x 720	25
	WXGA	1280 x 800	30	1280 x 800	25
	Full HD	1920 x 1080	30	1920 x 1080	30
	QXGA	2048 x 1536	20	2048 x 1536	20

Note: Once the 3-megapixels resolution is configured in one stream, all video streams will be only up to maximum 20 FPS at all resolutions due to sensor limitation.

Video Viewing	<p>DynaStream™ support for changing the video frame rate automatically</p> <p>CBR Pro™ for good image quality in limited bandwidth transmissions</p> <p>3 privacy mask areas provided</p> <p>Adjustable image size and quality</p> <p>Timestamp and text overlay</p> <p>OSD (On Screen Display) position adjustable</p> <p>LDC (Lens distortion correction) for less image warp</p> <p>Maximum of 10 simultaneous unicast connections, 50 multicast clients</p>
---------------	---

Audio Interface

Audio Format	Mono, PCM (G.711) AAC
Audio Inputs	<p>VPort 07/P07-3MxxM Series: 1 x built-in microphone</p> <p>VPort 07-3LxxM Series: 1 x line-in, with DB9 connector</p> <p>VPort P07-3LxxM Series: 1 x line-in, with M12 connector</p>

Camera Software Development

Video Standards	ONVIF Profile S, T, M
-----------------	-----------------------

Camera Alarm Software Features

Intelligent Video	Camera tampering detection
Video Motion Detection	3 independently configurable areas
Imaging	JPEG snapshots for pre/trigger/post alarm images
Custom Alarms	HTTP event servers for setting customized alarm actions

FTP Messaging	Automatic transfer of stored images via FTP as event-triggered actions
Pre-Alarm Buffer	50 MB video buffer for JPEG snapshot images

Software Requirements

Memory Size	8 GB
Operating System	Windows 10 or above
Browser	Internet Explorer 11 or above Chrome: Version 118 or above Microsoft Edge: Version 118 or above
Multimedia	DirectX 12 or above

Physical Characteristics

Housing	IP66 rain and dust protection Metal housing, PC dome cover IK8 vandal resistant protection Built-in heater for dome cover demist
Dimensions	110 x 115.5 x 61.8 mm (4.33 x 4.53 x 2.43 in)
Weight	620 g (1.37 lb)
Installation	Panel mounting
Protection	PCB conformal coating is optional and provided on request. If conformal coating is required, please contact Moxa.

Environmental Limits

Operating Temperature	Standard Models: -40 to 55°C (-40 to 131°F) Wide Temp. Models: -40 to 70°C (-40 to 158°F)
Storage Temperature (package included)	-40 to 85°C (-40 to 185°F)
Ambient Relative Humidity	5 to 95% (non-condensing)
Ingress Protection	IEC 60529, IP66
Vandal Resistance	EN 62262, IK8
Altitude	2000 m Note: Please contact Moxa if you require products guaranteed to function properly at higher altitudes.

Standards and Certifications

EMI	CISPR 32, FCC Part 15B Class A
EMS	IEC 61000-4-2 ESD: Contact: 6 kV; Air: 8 kV IEC 61000-4-3 RS: 80 MHz to 1 GHz: 20 V/m IEC 61000-4-4 EFT: Power: 2 kV; Signal: 2 kV IEC 61000-4-5 Surge: Power: 2 kV; Signal: 2 kV IEC 61000-4-6 CS: 10 V IEC 61000-4-8 PFMF
Freefall	IEC 60068-2-31
Railway Fire Protection	EN 45545-2
Safety	UL 62368-1
Shock	IEC 60068-2-27, IEC 61373, EN 50155

Vibration	IEC 60068-2-64, IEC 61373, EN 50155
Railway	EN 50155 (complies with a portion of EN 50155 specifications)

Warranty

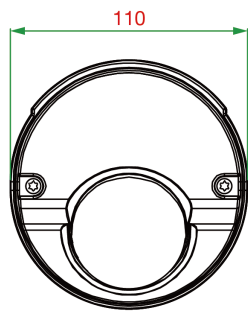
Warranty Period	5 years
Details	See www.moxa.com/tw/warranty

Package Contents

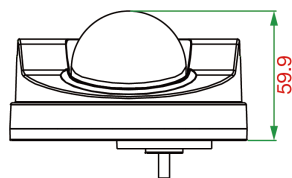
Device	1 x VPort 07-3 Series camera
Installation Kit	1 x sticker 1 x L-type Torx screwdriver 4 x indented hexagonal head tapping screws, nuts, gaskets, and spring washers
Documentation	1 x quick installation guide 1 x warranty card

尺寸

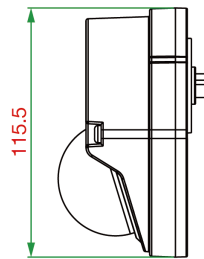
單位：公釐



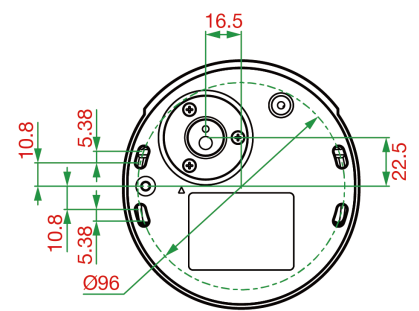
Top View



Front View



Side View



Bottom View

訂購資訊

Model Name	Lens	Audio Interface	Power Input	Operating Temp.
VPort P07-3L24M	2.4 mm	Line-in	PoE	-40 to 55°C
VPort P07-3L24M-T	2.4 mm	Line-in	PoE	-40 to 70°C
VPort P07-3M24M	2.4 mm	Microphone	PoE	-40 to 55°C
VPort P07-3M24M-T	2.4 mm	Microphone	PoE	-40 to 70°C
VPort 07-3L24M	2.4 mm	Line-in	12/24 VDC	-40 to 55°C
VPort 07-3L24M-T	2.4 mm	Line-in	12/24 VDC	-40 to 70°C
VPort 07-3M24M	2.4 mm	Microphone	12/24 VDC	-40 to 55°C
VPort 07-3M24M-T	2.4 mm	Microphone	12/24 VDC	-40 to 70°C
VPort P07-3L36M	3.6 mm	Line-in	PoE	-40 to 55°C
VPort P07-3L36M-T	3.6 mm	Line-in	PoE	-40 to 70°C
VPort P07-3M36M	3.6 mm	Microphone	PoE	-40 to 55°C
VPort P07-3M36M-T	3.6 mm	Microphone	PoE	-40 to 70°C
VPort 07-3L36M	3.6 mm	Line-in	12/24 VDC	-40 to 55°C
VPort 07-3L36M-T	3.6 mm	Line-in	12/24 VDC	-40 to 70°C
VPort 07-3M36M	3.6 mm	Microphone	12/24 VDC	-40 to 55°C

Model Name	Lens	Audio Interface	Power Input	Operating Temp.
VPort 07-3M36M-T	3.6 mm	Microphone	12/24 VDC	-40 to 70°C
VPort P07-3L42M	4.2 mm	Line-in	PoE	-40 to 55°C
VPort P07-3L42M-T	4.2 mm	Line-in	PoE	-40 to 70°C
VPort P07-3M42M	4.2 mm	Microphone	PoE	-40 to 55°C
VPort P07-3M42M-T	4.2 mm	Microphone	PoE	-40 to 70°C
VPort 07-3L42M	4.2 mm	Line-in	12/24 VDC	-40 to 55°C
VPort 07-3L42M-T	4.2 mm	Line-in	12/24 VDC	-40 to 70°C
VPort 07-3M42M	4.2 mm	Microphone	12/24 VDC	-40 to 55°C
VPort 07-3M42M-T	4.2 mm	Microphone	12/24 VDC	-40 to 70°C
VPort P07-3L60M	6.0 mm	Line-in	PoE	-40 to 55°C
VPort P07-3L60M-T	6.0 mm	Line-in	PoE	-40 to 70°C
VPort P07-3M60M	6.0 mm	Microphone	PoE	-40 to 55°C
VPort P07-3M60M-T	6.0 mm	Microphone	PoE	-40 to 70°C
VPort 07-3L60M	6.0 mm	Line-in	12/24 VDC	-40 to 55°C
VPort 07-3L60M-T	6.0 mm	Line-in	12/24 VDC	-40 to 70°C
VPort 07-3M60M	6.0 mm	Microphone	12/24 VDC	-40 to 55°C
VPort 07-3M60M-T	6.0 mm	Microphone	12/24 VDC	-40 to 70°C
VPort P07-3L80M	8.0 mm	Line-in	PoE	-40 to 55°C
VPort P07-3L80M-T	8.0 mm	Line-in	PoE	-40 to 70°C
VPort P07-3M80M	8.0 mm	Microphone	PoE	-40 to 55°C
VPort P07-3M80M-T	8.0 mm	Microphone	PoE	-40 to 70°C
VPort 07-3L80M	8.0 mm	Line-in	12/24 VDC	-40 to 55°C
VPort 07-3L80M-T	8.0 mm	Line-in	12/24 VDC	-40 to 70°C
VPort 07-3M80M	8.0 mm	Microphone	12/24 VDC	-40 to 55°C
VPort 07-3M80M-T	8.0 mm	Microphone	12/24 VDC	-40 to 70°C

© Moxa Inc. 版權所有.2024 年 6 月 28 日更新。

未經 Moxa Inc. 明確書面許可，不得以任何方式複製或使用本文件及其任何部分。產品規格如有變更，恕不另行通知。請至本公司官網了解最新的產品資訊。