

EDS-4012 Series

8+4G-port (with 8 802.3bt PoE port option) managed Ethernet switches



Features and Benefits

- Developed according to the IEC 62443-4-1 and compliant with the IEC 62443-4-2 industrial cybersecurity standards
- Support for IEEE 802.3bt PoE for up to 90 W output per port
- Turbo Ring and Turbo Chain (recovery time < 20 ms @ 250 switches)¹, and RSTP/STP for network redundancy
- Wide range of power input options for flexible deployment
- Compact and flexible housing design to fit into confined spaces
- Supports MXstudio for easy, visualized industrial network management

Certifications



Introduction

The EDS-4012 Series is a range of 12-port managed Fast Ethernet switches with the option for four 1 Gbps fiber-optic uplink ports. This Series also offers models with four 10/100BaseT(X) 802.3af (PoE), 802.3at (PoE+), and 802.3bt-compliant Ethernet PoE port options to connect high-bandwidth PoE devices.

Redundant Ethernet technologies such as Turbo Ring, Turbo Chain, and RSTP/STP increase the reliability of your system and improve the availability of your network backbone. The EDS-4012 Series is designed specifically for demanding applications such as video and process monitoring, ITS, and DCS systems, all of which can benefit from a scalable backbone.

The EDS-4012 Series is compliant with the IEC 62443-4-2 and IEC 62443-4-1 Industrial Cybersecurity certifications, which cover both product security and secure development life-cycle requirements, helping our customers meet the compliance requirements of secure industrial network design.

Specifications

Ethernet Interface

| | |
|--|--|
| 10/100BaseT(X) Ports (RJ45 connector) | EDS-4012-4GS-LV/-HV/-T models: 8 EDS-4012-4GC-LV/-HV/-T models: 8 Auto negotiation speed Full/Half duplex mode Auto MDI/MDI-X connection |
| PoE Ports (10/100BaseT(X), RJ45 connector) | EDS-4012-8P-4GS-LVA/-LVB/-T models: 8 |
| 100/1000BaseSFP Ports | EDS-4012-4GS-LV/-HV/-T models: 4 EDS-4012-8P-4GS-LVA/-VB/-T models: 4 |

1. If the port link speed is 1 Gigabit or higher, the recovery time is < 50 ms.

| | |
|--|---|
| Combo Ports (10/100/1000BaseT(X) or 100/1000BaseSFP) | EDS-4012-4GC-LV/-HV/-T models: 4 |
| Standards | IEEE 802.3 for 10BaseT IEEE 802.3u for 100BaseT(X) and 100BaseFX IEEE 802.3ab for 1000BaseT(X) IEEE 802.3z for 1000BaseX IEEE 802.3x for flow control IEEE 802.3ad for Port Trunk with LACP IEEE 802.1Q for VLAN Tagging IEEE 802.1D-2004 for Spanning Tree Protocol IEEE 802.1w for Rapid Spanning Tree Protocol IEEE 802.1p for Class of Service IEEE 802.1X for authentication |

Ethernet Software Features

| | |
|----------------------|--|
| Filter | GMRP, GVRP, GARP, 802.1Q VLAN, IGMP Snooping v1/v2/v3, IGMP Querier |
| Management | IPv4/IPv6, Flow control, Back Pressure Flow Control, DHCP Server/Client, ARP, RARP, LLDP, Port Mirror, Linkup Delay, SMTP, SNMP Trap, SNMP Inform, SNMPv1/v2c/v3, RMON, TFTP, SFTP, HTTP, HTTPS, Telnet, Syslog, Private MIB |
| MIB | P-BRIDGE MIB, Q-BRIDGE MIB, IEEE8021-SPANNING-TREE-MIB, IEEE8021-PAE-MIB, IEEE8023-LAG-MIB, LLDP-EXT-DOT1-MIB, LLDP-EXT-DOT3-MIB, SNMPv2-MIB, RMON MIB Groups 1, 2, 3, 9 |
| Redundancy Protocols | STP, RSTP, Turbo Ring v2, Turbo Chain, Ring Coupling, Dual-Homing, Link Aggregation |
| Security | Broadcast storm protection, Rate Limit, Trust access control, Static Port Lock, MAC Sticky, HTTPS/SSL, SSH, RADIUS, TACACS+, Login and Password Policy |
| Time Management | SNTP, NTP Server/Client, NTP Authentication |
| Protocols | IPv4/IPv6, TCP/IP, UDP, ICMP, ARP, RARP, TFTP, DNS, NTP Client, DHCP Server, DHCP Client, 802.1X, QoS, HTTPS, HTTP, Telnet, SMTP, SNMPv1/v2c/v3, RMON, Syslog |

Switch Properties

| | |
|--------------------|---------------|
| MAC Table Size | 16 K |
| Jumbo Frame Size | 9.216 KB |
| Max. No. of VLANs | 256 |
| VLAN ID Range | VID 1 to 4094 |
| IGMP Groups | 512 |
| Priority Queues | 4 |
| Packet Buffer Size | 1 MB |

LED Interface

| | |
|----------------|--|
| LED Indicators | PWR1, PWR2, STATE, FAULT, MSTR/HEAD, CPLR/TAIL, SYNC |
|----------------|--|

Serial Interface

| | |
|--------------|--|
| Console Port | RS-232 (TxD, RxD, GND), 8-pin RJ45 (115200, n, 8, 1) |
|--------------|--|

USB Interface

| | |
|---------------|-----------------------|
| USB Connector | USB Type A (Reserved) |
|---------------|-----------------------|

Input/Output Interface

| | |
|------------------------|--|
| Alarm Contact Channels | 1, Relay output with current carrying capacity of 1 A @ 24 VDC |
| Digital Input Channels | 1 |

| | |
|---------------------------------|---|
| Digital Inputs | +13 to +30 V for state 1 -30 to +3 V for state 0 Max. input current: 8 mA |
| Buttons | Reset button |
| DIP Switch Configuration | |
| DIP Switches | Turbo Ring, Master, Coupler, Reserve |
| Power Parameters | |
| Connection | 2 removable 4-contact terminal block(s) |
| Pre-installed Power Module | -LV/-LV-T models: PWR-100-LV -HV/-HV-T models: PWR-105-HV-I -LVA/-LVA-T models: PWR-101-LV-BP-I -LVB/-LVB-T models: PWR-103-LV-VB-I |
| Note | The EDS-4012 Series supports modular power supplies. The model names and power parameters are determined by the installed power module. For example: EDS-4012-4GS-T + PWR-100-LV = EDS-4012-4GS-LV-T EDS-4012-4GS-T + PWR-105-HV-I = EDS-4012-4GS-HV-T If you install a different power module, refer to the specifications of the corresponding model. For example, if you replace the power module of the EDS-4012-4GS-LV-T with the PWR-105-HV-I, refer to the specifications of the EDS-4012-4GS-HV-T. |
| Input Voltage | -LV/-LV-T models: 12/24/48 VDC, Redundant dual inputs -HV/-HV-T models: 110/220 VDC/VAC, Single input -LVA/-LVA-T models: 48 VDC, Redundant dual inputs -LVB/-LVB-T models: 12/24/48 VDC, Redundant dual inputs |
| Operating Voltage | -LV/-LV-T models: 9.6 to 60 VDC -HV/-HV-T models: 88 to 300 VDC, 85 to 264 VAC -LVA/-LVA-T models: 44 to 57 VDC (>52 VDC for PoE+ output recommended) -LVB/-LVB-T models: 12 to 57 VDC (>52 VDC for PoE+ output recommended) |
| Input Current | -LV/-LV-T models: 12-48 VDC, 1.50-0.40 A or 24 VDC, 0.70 A -HV/-HV-T models: 110-220 VAC, 50-60 Hz, 0.30-0.20 A or 110-220 VDC, 0.30-0.20 A -LVA/-LVA-T models: 48 VDC, 5.42 A -LVB/-LVB-T models: 12/48 VDC, 7.46/4.27 A or 24 VDC, 7.26 A |
| Power Consumption (Max.) | EDS-4012-4GS-LV/-T models: 10.52 W EDS-4012-4GS-HV/-T models: 12.22 W EDS-4012-4GC-LV/-T models: 10.7 W EDS-4012-4GC-HV/-T models: 13.35 W EDS-4012-8P-4GS-LVA/-T models: Without PoE: 13.34 W With PoE: Max. 240 W for total PD power consumption @ 48 VDC input EDS-4012-8P-4GS-LVB/-T models: Without PoE: 15.32 W With PoE: Max. 180 W for total PD power consumption @ 48 VDC input Max. 150 W for total PD power consumption @ 24 VDC input (Max. 120 W for -T model) Max. 62 W for total PD consumption @ 12 VDC input |
| Max. PoE Power Output per Port | 90 W |
| Overload Current Protection | Supported |
| Reverse Polarity Protection | Supported |
| Physical Characteristics | |
| IP Rating | IP40 |
| Dimensions | 55 x 140 x 120 mm (2.17 x 5.51 x 4.72 in) |

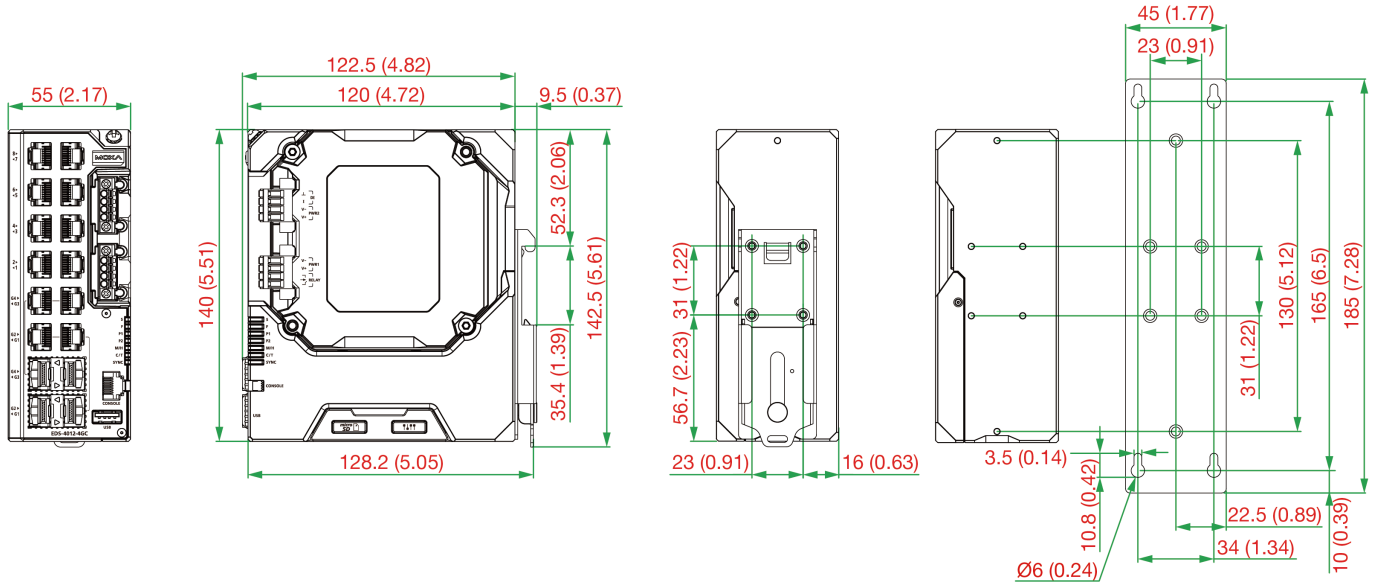
| | |
|--|--|
| Weight | 827 g (1.82 lb) |
| Installation | DIN-rail mounting, Wall mounting (with optional kit) |
| Housing | Metal |
| Environmental Limits | |
| Operating Temperature | Standard Models: -10 to 60°C (14 to 140°F) Wide Temp. Models: -40 to 75°C (-40 to 167°F) |
| Storage Temperature (package included) | -40 to 85°C (-40 to 185°F) |
| Ambient Relative Humidity | 5 to 95% (non-condensing) |
| Standards and Certifications | |
| Industrial Cybersecurity | IEC 62443-4-1 IEC 62443-4-2 |
| Safety | UL 61010-2-201, EN 62368-1 (LVD) |
| EMC | EN 55032/35, EN 61000-6-2/-6-4 |
| EMI | CISPR 32, FCC Part 15B Class A |
| EMS | IEC 61000-4-2 ESD: Contact: 8 kV; Air: 15 kV IEC 61000-4-3 RS: 80 MHz to 1 GHz: 20 V/m IEC 61000-4-4 EFT: Power: 4 kV; Signal: 4 kV IEC 61000-4-5 Surge: Power: 4 kV; Signal: 4 kV IEC 61000-4-6 CS: 10 V IEC 61000-4-8 PFMF |
| Maritime | -LV/-LV-T, PoE/PoE-T models: DNV, ABS, NK, LR |
| Vibration | IEC 60068-2-6 |
| Shock | IEC 60068-2-27 |
| Freefall | IEC 60068-2-32 |
| Railway | EN 50121-4 |
| Traffic Control | NEMA TS2 |
| Power Substation | IEC 61850-3, IEEE 1613 Class 1 |
| MTBF | |
| Time | EDS-4012-4GC-LV/-T models: 1,036,336 hrs EDS-4012-4GC-HV/-T models: 497,392 hrs EDS-4012-4GS-LV/-T models: 874,838 hrs EDS-4012-4GS-HV/-T models: 456,870 hrs EDS-4012-8P-4GS-LVA/-T models: 799,780 hrs EDS-4012-8P-4GS-LVB/-T models: 759,924 hrs |
| Standards | Telcordia SR332 |
| Warranty | |
| Warranty Period | 5 years |
| Details | See www.moxa.com/warranty |

Package Contents

| | |
|---------------|---|
| Device | 1 x EDS-4012 Series switch |
| Documentation | 1 x quick installation guide 1 x product notice, Simplified Chinese 1 x product certificates of quality inspection, Simplified Chinese 1 x warranty card |

Dimensions

Unit: mm (inch)



Ordering Information

| Model Name | 10/100BaseT(X) Ports (RJ45 Connector) | PoE 10/100BaseT(X) Ports (RJ45 Connector) | 100/1000BaseSFP Slots | Combo Ports (10/100/1000BaseT(X) or 100/1000BaseSFP) | Operating Voltage | Pre-installed Power Module | Operating Temp. |
|-----------------------|---------------------------------------|---|-----------------------|--|---|----------------------------|-----------------|
| EDS-4012-4GS-LV | 8 | - | 4 | - | 9.6 to 60 VDC | PWR-100-LV | -10 to 60°C |
| EDS-4012-4GS-LV-T | 8 | - | 4 | - | 9.6 to 60 VDC | PWR-100-LV | -40 to 75°C |
| EDS-4012-4GS-HV | 8 | - | 4 | - | 88 to 300 VDC, 85 to 264 VAC | PWR-105-HV-I | -10 to 60°C |
| EDS-4012-4GS-HV-T | 8 | - | 4 | - | 88 to 300 VDC, 85 to 264 VAC | PWR-105-HV-I | -40 to 75°C |
| EDS-4012-4GC-LV | 8 | - | - | 4 | 9.6 to 60 VDC | PWR-100-LV | -10 to 60°C |
| EDS-4012-4GC-LV-T | 8 | - | - | 4 | 9.6 to 60 VDC | PWR-100-LV | -40 to 75°C |
| EDS-4012-4GC-HV | 8 | - | - | 4 | 88 to 300 VDC, 85 to 264 VAC | PWR-105-HV-I | -10 to 60°C |
| EDS-4012-4GC-HV-T | 8 | - | - | 4 | 88 to 300 VDC, 85 to 264 VAC | PWR-105-HV-I | -40 to 75°C |
| EDS-4012-8P-4GS-LVA | - | 8 | 4 | - | 44 to 57 VDC (> 52 VDC for PoE+ output recommended) | PWR-101-LV-BP-I | -10 to 60°C |
| EDS-4012-8P-4GS-LVA-T | - | 8 | 4 | - | 44 to 57 VDC (> 52 VDC for PoE+ output recommended) | PWR-101-LV-BP-I | -40 to 75°C |

| Model Name | 10/100BaseT(X) Ports (RJ45 Connector) | PoE 10/100BaseT(X) Ports (RJ45 Connector) | 100/1000BaseSFP Slots | Combo Ports (10/100/1000BaseT(X) or 100/1000BaseSFP) | Operating Voltage | Pre-installed Power Module | Operating Temp. |
|-----------------------|---------------------------------------|---|-----------------------|--|---|----------------------------|-----------------|
| EDS-4012-8P-4GS-LVB | - | 8 | 4 | - | 12 to 57 VDC (> 52 VDC for PoE+ output recommended) | PWR-103-LV-VB-I | -10 to 60°C |
| EDS-4012-8P-4GS-LVB-T | - | 8 | 4 | - | 12 to 57 VDC (> 52 VDC for PoE+ output recommended) | PWR-103-LV-VB-I | -40 to 75°C |

Accessories (sold separately)

SFP Modules

| | |
|-----------------|--|
| SFP-1GEZXLC | SFP module with 1 1000BaseEZ port with LC connector for 110 km transmission, 0 to 60°C operating temperature |
| SFP-1GEZXLC-120 | SFP module with 1 1000BaseEZ port with LC connector for 120 km transmission, 0 to 60°C operating temperature |
| SFP-1GLHLC | SFP module with 1 1000BaseLH port with LC connector for 30 km transmission, 0 to 60°C operating temperature |
| SFP-1GLHXLC | SFP module with 1 1000BaseLHX port with LC connector for 40 km transmission, 0 to 60°C operating temperature |
| SFP-1GLSXLC | SFP module with 1 1000BaseLSX port with LC connector for 1km/2km transmission, 0 to 60°C operating temperature |
| SFP-1GLXLC | SFP module with 1 1000BaseLX port with LC connector for 10 km transmission, 0 to 60°C operating temperature |
| SFP-1GSXLC | SFP module with 1 1000BaseSX port with LC connector for 300m/550m transmission, 0 to 60°C operating temperature |
| SFP-1GZXLC | SFP module with 1 1000BaseZX port with LC connector for 80 km transmission, 0 to 60°C operating temperature |
| SFP-1GLHLC-T | SFP module with 1 1000BaseLH port with LC connector for 30 km transmission, -40 to 85°C operating temperature |
| SFP-1GLHXLC-T | SFP module with 1 1000BaseLHX port with LC connector for 40 km transmission, -40 to 85°C operating temperature |
| SFP-1GLSXLC-T | SFP module with 1 1000BaseLSX port with LC connector for 1km/2km transmission, -40 to 85°C operating temperature |
| SFP-1GLXLC-T | SFP module with 1 1000BaseLX port with LC connector for 10 km transmission, -40 to 85°C operating temperature |
| SFP-1GSXLC-T | SFP module with 1 1000BaseSX port with LC connector for 300m/550m transmission, -40 to 85°C operating temperature |
| SFP-1GZXLC-T | SFP module with 1 1000BaseZX port with LC connector for 80 km transmission, -40 to 85°C operating temperature |
| SFP-1G10ALC | WDM-type (BiDi) SFP module with 1 1000BaseSFP port with LC connector for 10 km transmission; TX 1310 nm, RX 1550 nm, 0 to 60°C operating temperature |
| SFP-1G10BLC | WDM-type (BiDi) SFP module with 1 1000BaseSFP port with LC connector for 10 km transmission; TX 1550 nm, RX 1310 nm, 0 to 60°C operating temperature |
| SFP-1G20ALC | WDM-type (BiDi) SFP module with 1 1000BaseSFP port with LC connector for 20 km transmission; TX 1310 nm, RX 1550 nm, 0 to 60°C operating temperature |
| SFP-1G20BLC | WDM-type (BiDi) SFP module with 1 1000BaseSFP port with LC connector for 20 km transmission; TX 1550 nm, RX 1310 nm, 0 to 60°C operating temperature |
| SFP-1G40ALC | WDM-type (BiDi) SFP module with 1 1000BaseSFP port with LC connector for 40 km transmission; TX 1310 nm, RX 1550 nm, 0 to 60°C operating temperature |
| SFP-1G40BLC | WDM-type (BiDi) SFP module with 1 1000BaseSFP port with LC connector for 40 km transmission; TX 1550 nm, RX 1310 nm, 0 to 60°C operating temperature |

| | |
|---------------|--|
| SFP-1G10ALC-T | WDM-type (BiDi) SFP module with 1 1000BaseSFP port with LC connector for 10 km transmission; TX 1310 nm, RX 1550 nm, -40 to 85°C operating temperature |
| SFP-1G10BLC-T | WDM-type (BiDi) SFP module with 1 1000BaseSFP port with LC connector for 10 km transmission; TX 1550 nm, RX 1310 nm, -40 to 85°C operating temperature |
| SFP-1G20ALC-T | WDM-type (BiDi) SFP module with 1 1000BaseSFP port with LC connector for 20 km transmission; TX 1310 nm, RX 1550 nm, -40 to 85°C operating temperature |
| SFP-1G20BLC-T | WDM-type (BiDi) SFP module with 1 1000BaseSFP port with LC connector for 20 km transmission; TX 1550 nm, RX 1310 nm, -40 to 85°C operating temperature |
| SFP-1G40ALC-T | WDM-type (BiDi) SFP module with 1 1000BaseSFP port with LC connector for 40 km transmission; TX 1310 nm, RX 1550 nm, -40 to 85°C operating temperature |
| SFP-1G40BLC-T | WDM-type (BiDi) SFP module with 1 1000BaseSFP port with LC connector for 40 km transmission; TX 1550 nm, RX 1310 nm, -40 to 85°C operating temperature |
| SFP-1FELLC-T | SFP module with 1 100Base single-mode with LC connector for 80 km transmission, -40 to 85°C operating temperature |
| SFP-1FEMLC-T | SFP module with 1 100Base multi-mode, LC connector for 2/4 km transmission, -40 to 85°C operating temperature |
| SFP-1FESLC-T | SFP module with 1 100Base single-mode with LC connector for 40 km transmission, -40 to 85°C operating temperature |

Power Supplies

| | |
|------------|--|
| HDR-60-24 | 60 W/2.5 A DIN-rail 24 VDC power supply, universal 85 to 264 VAC or 120 to 370 VDC input voltage, -30 to 70°C operating temperature |
| NDR-120-24 | 120 W/5.0 A DIN-rail 24 VDC power supply, universal 90 to 264 VAC or 127 to 370 VDC input voltage, -20 to 70°C operating temperature |
| NDR-120-48 | 120 W/2.5 A DIN-rail 48 VDC power supply, universal 90 to 264 VAC or 127 to 370 VDC input voltage, -20 to 70°C operating temperature |
| NDR-240-48 | 240 W/5.0 A DIN-rail 48 VDC power supply, universal 90 to 264 VAC or 127 to 370 VDC input voltage, -20 to 70°C operating temperature |
| MDR-40-24 | DIN-rail 24 VDC power supply with 40W/1.7A, 85 to 264 VAC, or 120 to 370 VDC input, -20 to 70°C operating temperature |
| MDR-60-24 | DIN-rail 24 VDC power supply with 60W/2.5A, 85 to 264 VAC, or 120 to 370 VDC input, -20 to 70°C operating temperature |

© Moxa Inc. All rights reserved. Updated Jun 17, 2022.

This document and any portion thereof may not be reproduced or used in any manner whatsoever without the express written permission of Moxa Inc. Product specifications subject to change without notice. Visit our website for the most up-to-date product information.