

# EDS-2008-EL 系列

## 金屬外殼 8 埠入門級非網管型乙太網路交換器



### 特色與優點

- 10/100BaseT(X) ( RJ45 連接器 )
- 尺寸小巧並容易安裝
- 支援 QoS 在高負荷流量中處理重要資料
- IP40 等級金屬外殼
- -40 至 75°C 寬操作溫度範圍 ( -T 型號 )
- 符合 PROFINET 一致性等級 A<sup>1</sup>

### 認證



### 簡介

EDS-2008-EL 系列工業級乙太網路交換器具有多達八個 10/100M 網路埠，非常適合需要簡單工業級乙太網路的應用連線。為了針對不同產業的應用提供更多的彈性，EDS-2008-EL 系列允許使用者透過外部面板 DIP 開啟或停用服務品質功能 ( QoS ) 和廣播風暴防護 ( BSP )。此外，EDS-2008-EL 系列具有堅固耐用的金屬外殼，確保適用於工業環境和光纖連線 ( 多模 SC 或 ST )。

EDS-2008-EL 系列具有 12/24/48 VDC 單一電力輸入、DIN 軌道安裝，以及高等級 EMI/EMC 防護能力。除了其精巧尺寸，EDS-2008-EL 系列也通過了 100% 高溫測試，確保在部屬後可穩定運作。EDS-2008-EL 系列具有 -10 至 60°C 的標準操作溫度範圍，同時具有寬溫度型號可選 ( -40 至 75°C )。

EDS-2008-EL 系列也符合 PROFINET 一致性等級 A (CC-A)，使這些交換器同樣適用於 PROFINET 網路。

### 規格

#### Ethernet Interface

10/100BaseT(X) Ports (RJ45 connector)	EDS-2008-EL: 8 EDS-2008-EL-M-ST: 7 EDS-2008-EL-M-SC: 7 Full/Half duplex mode Auto MDI/MDI-X connection Auto negotiation speed
100BaseFX Ports (multi-mode SC connector)	EDS-2008-EL-M-SC: 1
100BaseFX Ports (multi-mode ST connector)	EDS-2008-EL-M-ST: 1

1. 僅適用於硬體版本 2.0.0 或更高版本的型號。

Standards	IEEE 802.3 for 10BaseT IEEE 802.3u for 100BaseT(X) and 100BaseFX IEEE 802.3x for flow control IEEE 802.1p for Class of Service			
Optical Fiber			100BaseFX	
			Multi-Mode	
			Single-Mode	
	Fiber Cable Type	OM1	50/125 $\mu\text{m}$	G.652
			800 MHz x km	
	Typical Distance		4 km	5 km
	Wavelength	Typical (nm)	1300	
		TX Range (nm)	1260 to 1360	
		RX Range (nm)	1100 to 1600	
	Optical Power	TX Range (dBm)	-10 to -20	
		RX Range (dBm)	-3 to -32	
		Link Budget (dB)	12	
		Dispersion Penalty (dB)	3	
<p>Note: When connecting a single-mode fiber transceiver, we recommend using an attenuator to prevent damage caused by excessive optical power.</p> <p>Note: Compute the "typical distance" of a specific fiber transceiver as follows: Link budget (dB) &gt; dispersion penalty (dB) + total link loss (dB).</p>				

### Switch Properties

Processing Type	Store and Forward
MAC Table Size	2 K
Packet Buffer Size	768 kbits

### DIP Switch Configuration

Ethernet Interface	Quality of Service (QoS) <sup>2</sup> , Broadcast Storm Protection (BSP)
--------------------	--

### Power Parameters

Connection	1 removable 2-contact terminal block(s)
Input Current	EDS-2008-EL: 0.052A @ 24 VDC EDS-2008-EL-M-ST/EDS-2008-EL-M-SC: 0.082A @ 24 VDC
Input Voltage	12/24/48 VDC
Operating Voltage	9.6 to 60 VDC
Overload Current Protection	Supported
Reverse Polarity Protection	Supported

### Physical Characteristics

Installation	DIN-rail mounting Wall mounting (with optional kit)
Weight	169 g (0.37 lb)

2. 啟用 QoS DIP 開關還將開啟組播過濾，這將阻擋 LLDP 和 PROFINET PTCP 延遲流量。

Housing	Metal
Dimensions	EDS-2008-EL: 36 x 81 x 65 mm (1.4 x 3.19 x 2.56 in) EDS-2008-EL-M-ST: 36 x 81 x 70.9 mm (1.4 x 3.19 x 2.79 in) (w/ connector) EDS-2008-EL-M-SC: 36 x 81 x 68.9 mm (1.4 x 3.19 x 2.71 in) (w/ connector)

### Environmental Limits

Ambient Relative Humidity	5 to 95% (non-condensing)
Operating Temperature	EDS-2008-EL/EDS-2008-EL-M-SC/EDS-2008-EL-M-ST: -10 to 60°C (14 to 140°F) EDS-2008-EL-T/EDS-2008-EL-M-SC-T/EDS-2008-EL-M-ST-T: -40 to 75°C (-40 to 167°F)
Storage Temperature (package included)	-40 to 85°C (-40 to 185°F)

### Standards and Certifications

Safety	UL 61010-2-201 EN 62368-1
EMC	EN 55032/35 EN 61000-6-2/-6-4
EMI	CISPR 22, 32, FCC Part 15B Class A
EMS	IEC 61000-4-2 ESD: Contact: 6 kV; Air: 8 kV IEC 61000-4-3 RS: 80 MHz to 1 GHz: 10 V/m IEC 61000-4-4 EFT: Power: 2 kV; Signal: 2 kV IEC 61000-4-5 Surge: Power: 2 kV; Signal: 2 kV IEC 61000-4-6 CS: 10 V IEC 61000-4-8 PFMF
Shock	IEC 60068-2-27
Vibration	IEC 60068-2-6
Freefall	IEC 60068-2-32

### MTBF

Time	EDS-2008-EL: 3,696,394 hrs EDS-2008-EL-M-SC/ EDS-2008-EL-M-ST: 3,329,688 hrs
Standards	Telcordia (Bellcore), GB

### Warranty

Warranty Period	5 years
Details	See <a href="http://www.moxa.com/tw/warranty">www.moxa.com/tw/warranty</a>

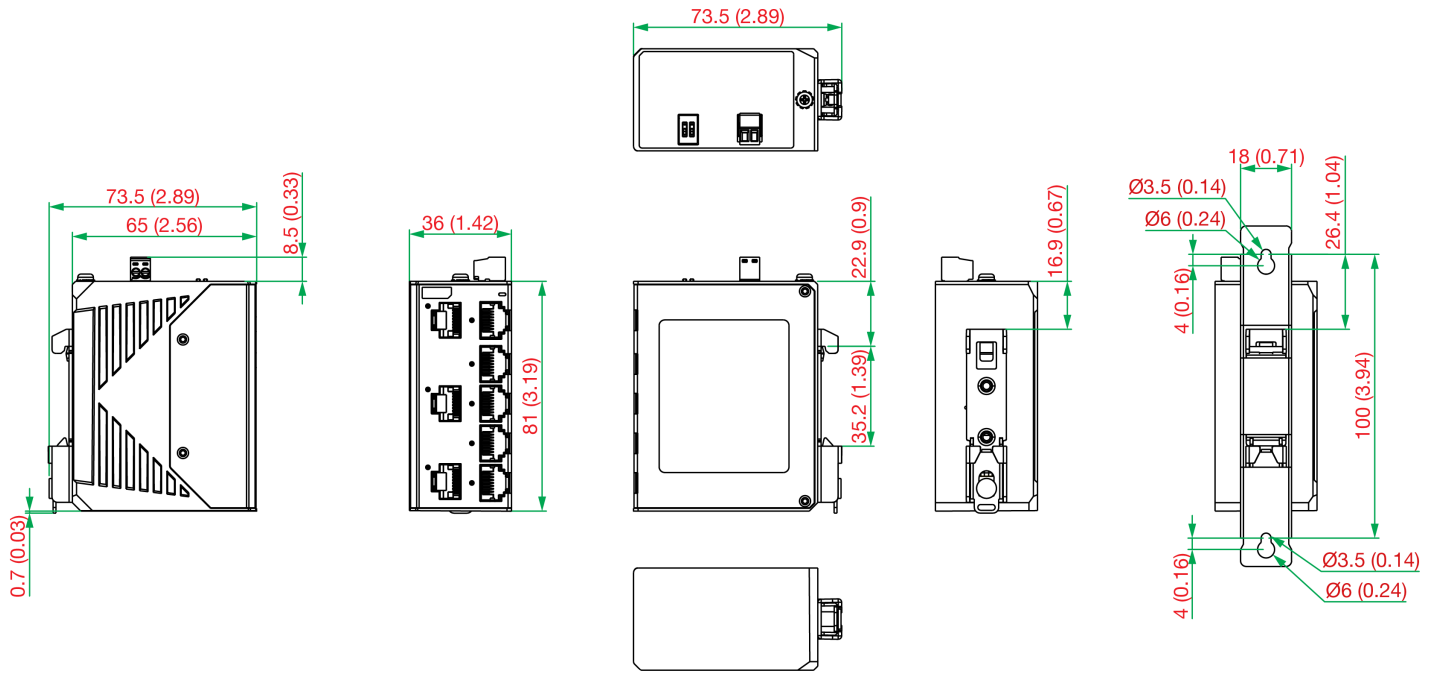
### Package Contents

Device	1 x EDS-2008 Series switch
Documentation	1 x quick installation guide 1 x warranty card

# 尺寸

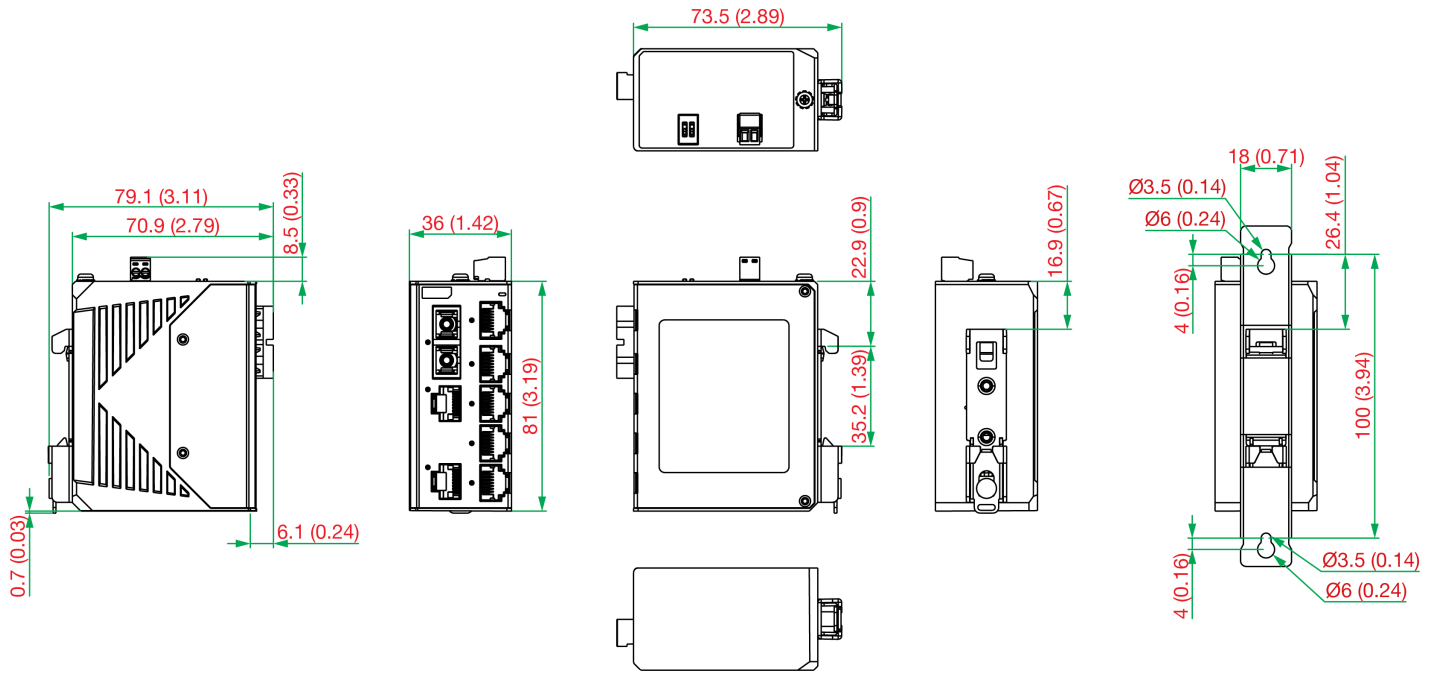
## EDS-2008-EL

單位：公釐（英吋）



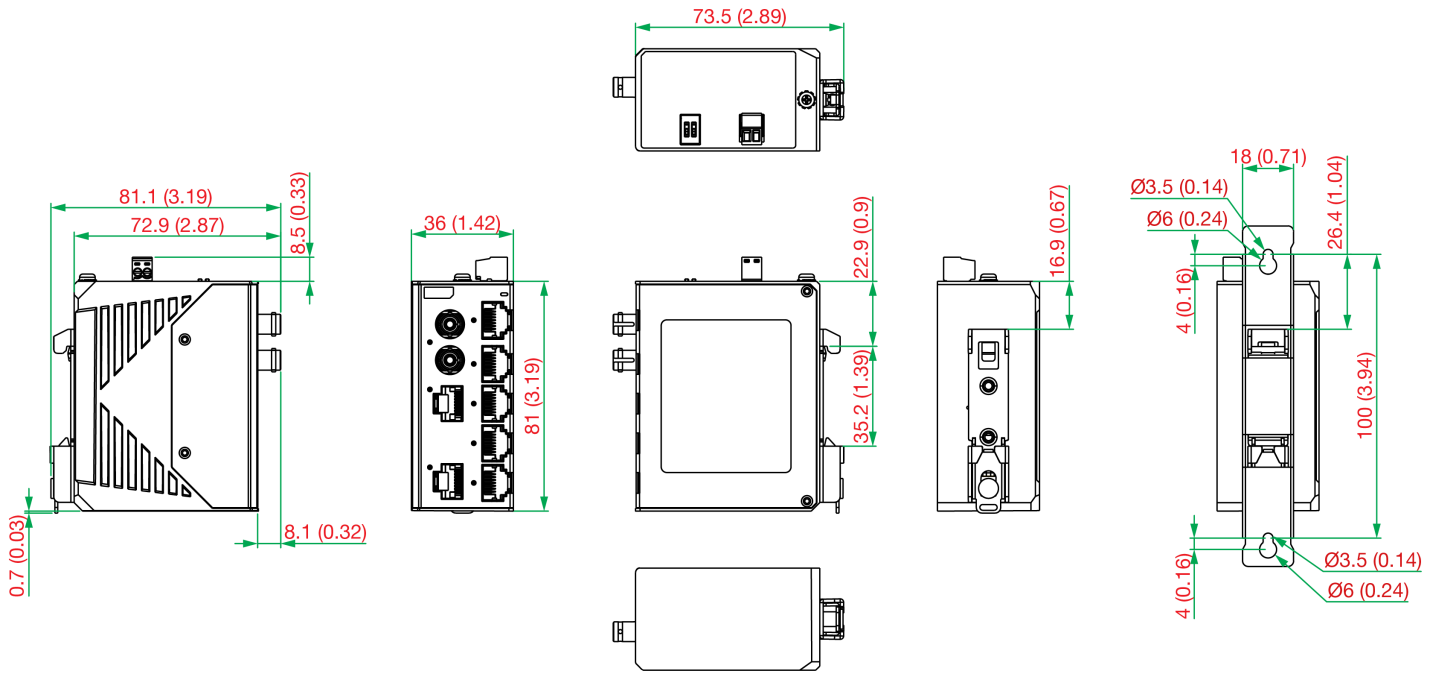
## EDS-2008-EL-M-SC

單位：公釐（英吋）



## EDS-2008-EL-M-ST

單位：公釐（英吋）



## 訂購資訊

Model Name	10/100BaseT(X) Ports (RJ45 connector)	10/100BaseFX Ports (Multi-mode SC)	10/100BaseFX Ports (Multi-mode ST)	Housing	Operating Temperature
EDS-2008-EL	8	-	-	Metal	-10 to 60°C
EDS-2008-EL-M-SC	7	1	-	Metal	-10 to 60°C
EDS-2008-EL-M-ST	7	-	1	Metal	-10 to 60°C
EDS-2008-EL-T	8	-	-	Metal	-40 to 75°C
EDS-2008-EL-M-SC-T	7	1	-	Metal	-40 to 75°C
EDS-2008-EL-M-ST-T	7	-	1	Metal	-40 to 75°C

## 配件（選購）

### Wall-Mounting Kits

WK-18	Wall-mounting kit, 1 plate (18 x 120 x 8.5 mm)
-------	--

### Power Supplies

MDR-40-24	DIN-rail 24 VDC power supply with 40W/1.7A, 85 to 264 VAC, or 120 to 370 VDC input, -20 to 70°C operating temperature
MDR-60-24	DIN-rail 24 VDC power supply with 60W/2.5A, 85 to 264 VAC, or 120 to 370 VDC input, -20 to 70°C operating temperature

### Rack-Mounting Kits

WK-18	Wall-mounting kit, 1 plate (18 x 120 x 8.5 mm)
RK-4U	19-inch rack-mounting kit

© Moxa Inc. 版權所有。2024 年 5 月 13 日更新。

未經 Moxa Inc. 明確書面許可，不得以任何方式複製或使用本文件及其任何部分。產品規格如有變更，恕不另行通知。請至本公司官網了解最新的產品資訊。